

## 2000 Series Model 85 Depository Installation and Operation Manual September 13, 2011



### Model 2000-01

Model 85 Depository w/Grout Housing

### Model 2000-02

Model 85 Depository w/Non-Grout Housing

### CAUTION

THIS PRODUCT SHOULD ONLY BE INSTALLED AND  
SERVICED BY PROFESSIONALS EXPERIENCED AND  
QUALIFIED IN THE INSTALLATION OF DEPOSITORIES  
AND SAFES

Manufacture Date:

UL/Serial Number:

## TABLE OF CONTENTS

### DISCLAIMER

### WARNINGS

## 1 INTRODUCTION

- 1.1 Product Overview
- 1.2 General Specification
- 1.3 Part Names (Figure 1-1)
- 1.4 Dimensional Specifications Model 2000-01 (Figure 1-2) (Drawing #20005)
- 1.5 Dimensional Specifications Model 2000-02 (Figure 1-3) (Drawing #20006)

## 2 INSTALLATION

- 2.1 Safety and Pre-Installation Procedures
- 2.2 Apparel
- 2.3 Unpacking and Inspection
- 2.4 Site Requirements
- 2.5 Installation Sequence
  - Figure 2-1 (Drawing #20043)
  - Figure 2-2 (Drawing #20044)
  - Figure 2-3 (Drawing #20045)
  - Figure 2-4 (Drawing #20111)

## 3 OPERATION

- 3.1 Devices
- 3.2 Letter & Bag Set-Up
- 3.3 Bag Only Set-Up
- 3.4 Lock Conversion Detail
  - Figure 3-1

## 4 MAINTENANCE

- 4.1 Preventative Maintenance
- 4.2 Periodic Maintenance

## DISCLAIMER

The material in this manual is for information purposes only. The contents and the product described are subject to change without notice. The manufacturer makes no presentations or warranties with respect to this manual. This product was designed for certain applications only. It may not be modified and/or used for any applications other than that which it was designed. The design specifications of the product described herein is subject to change without notice. The manufacturer reserves the right to make such changes without incurring any obligation to make them in units previously sold. Differences between the unit you received and the views contained herein are the result of design improvement and/or the addition of options as specified.

## WARNINGS

**CAUTION:** If not properly installed, operated and maintained, the use of this equipment presents the possibility of personal injury or property damage. Before use, all persons who will install, operate or maintain this product should read this manual thoroughly. For safe, dependable performance, follow all instructions and recommendations contained herein.

**CAUTION:** Keep hands clear of moving parts.

**CAUTION:** Always unplug the unit from power source prior to cleaning or servicing.

## 1 INTRODUCTION

### 1.1 Product overview

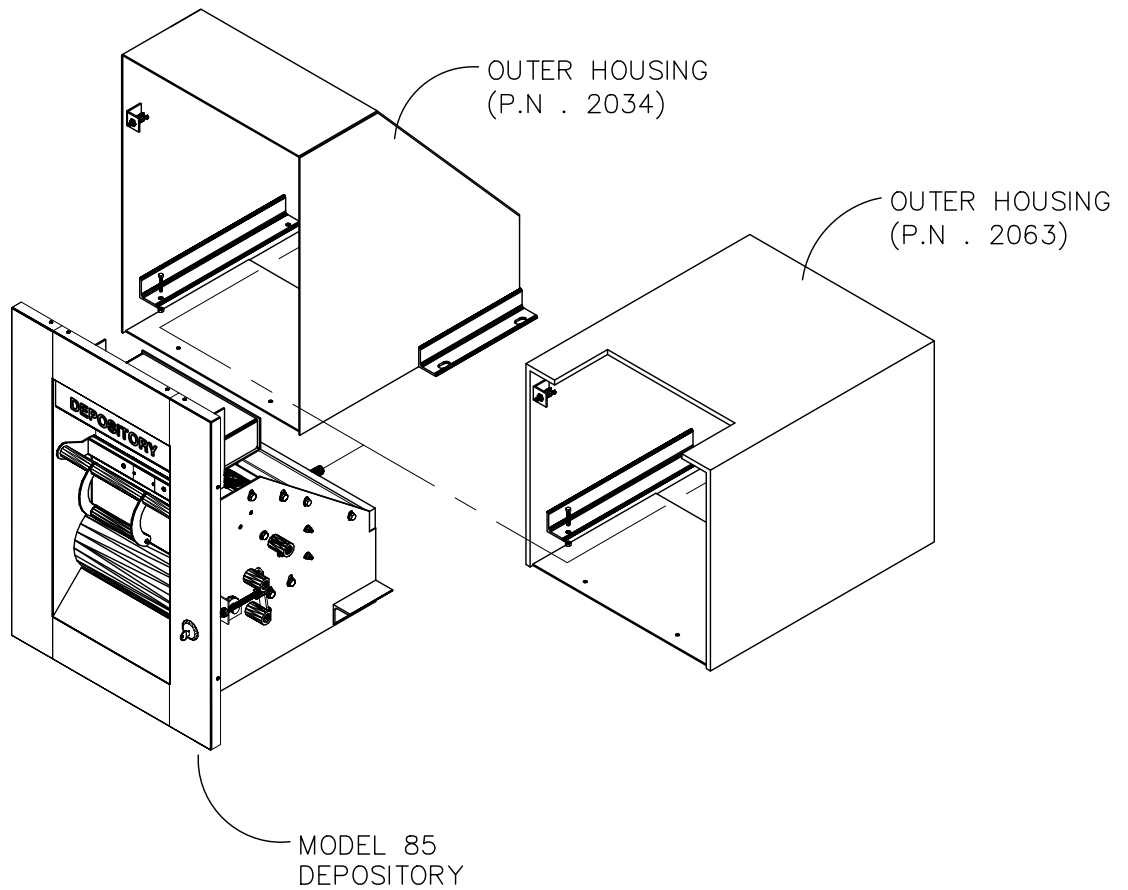
This manually operated Depository meets or exceeds UL standard 771 for after hour's deposit of cash and currency when properly installed with acceptable receiving chest and alarm protection. It bears the Underwriters label and has passed the UL tests involving attack by mechanical tools and the sophisticated fishing and trapping techniques. This Depository is designed for thru the wall applications using a rotary receptacle. Deposits drop into a secure receiver on the interior of the structure.

It has been designed to provide easy access by customer in either a drive-up or walk-up application. It comes standard with capabilities for envelope and bag deposits. A single, rotary, receptacle provides customer access for both envelope and bag operations. The receptacle access is controlled by a key lock in the depository frame. The envelope opening can be accessed without the use of a key. The bag opening is accessed only when the required key has operated the lock. Twenty-five of these keys are supplied with the depository. The receptacle is large enough to accommodate a fully packed deposit bag up to 7" x 11" in size. The depository is also available with bag only operation and requires a key with each use. The only power requirements are for the integral courtesy light. There is no power required for normal operation.

The 2034 Housing is for grout applications. The 2063 Housing is for use as a grout-free installation. Most installations incorporate a receiving chest, such as the 970 Series Receiving Chest represented herein. The size of the chest is determined by the bag capacity required and application involved.

### 1.2 General Specifications

- |                              |  |
|------------------------------|--|
| 1.2.1 Power Requirements:    | (1) 120 VAC 50/60 Hz, 1PH, 10 Amp Switched Circuit<br>(Circuit can be switched with a photocell or switch on structure interior) |
| 1.2.2 Power Consumption:     | 15 watts or .16 Amps   |
| 1.2.3 Alarm Connections:     | Normally Closed  |
| 1.2.4 Max. Deposit Bag Size: | 7" x 11"   |
| 1.2.5 Dimensions:            | 23-1/2" W x 33-1/2" H x 28" D  |
| 1.2.6 Weights:               | Model 2000-01: 380 lbs.<br>Model 2000-02: 605 lbs.   |

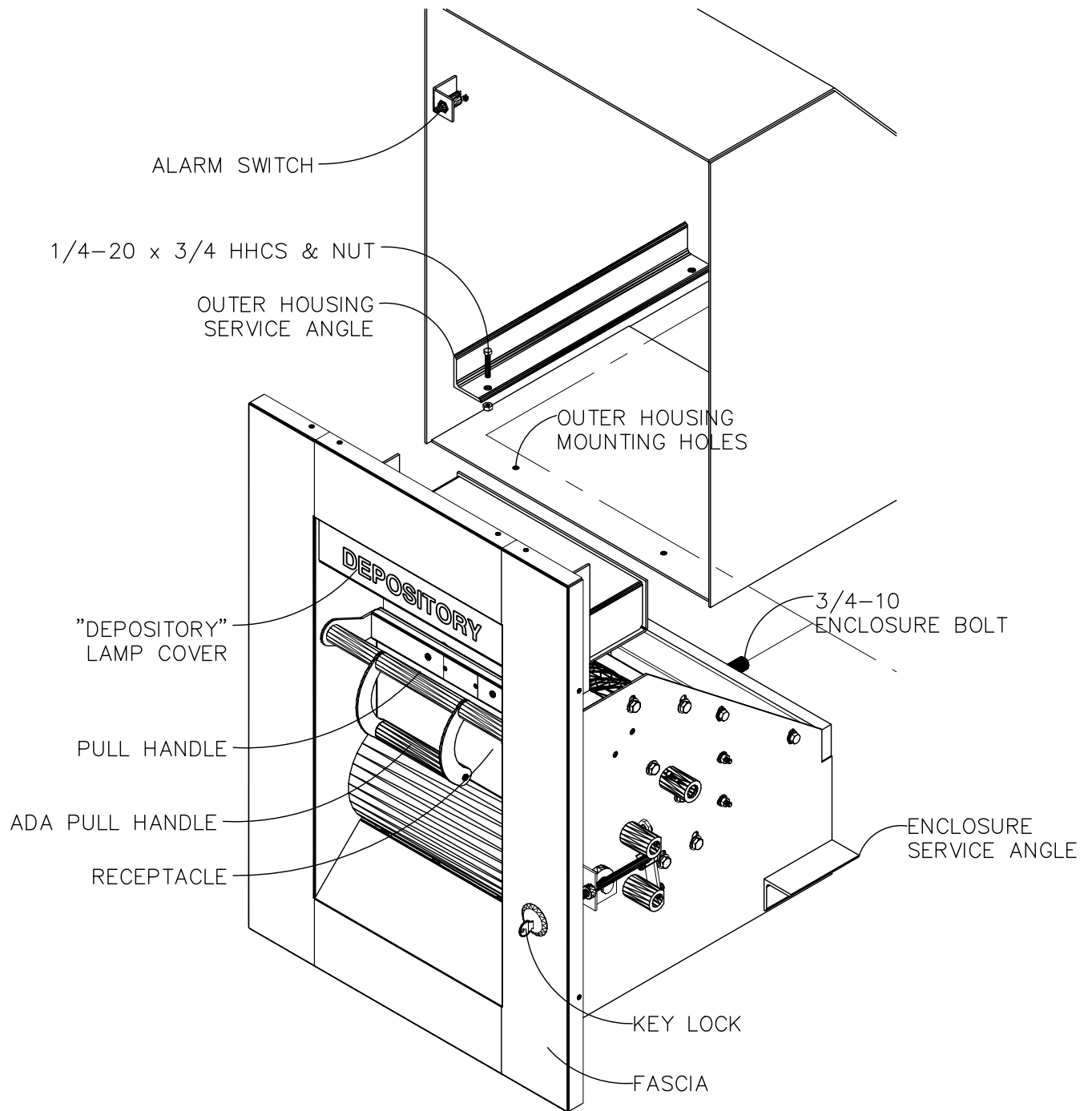


DO NOT SCALE

**www.American Vault<sup>®</sup>.us**

PRODUCT APPLICATION DRAWING  
PART NAMES  
2000 SERIES DEPOSITORY

SIZE	DWG NO	DATE	SHEET
<b>AA</b>	FIGURE 1-1	09.13.2011	1 OF 2

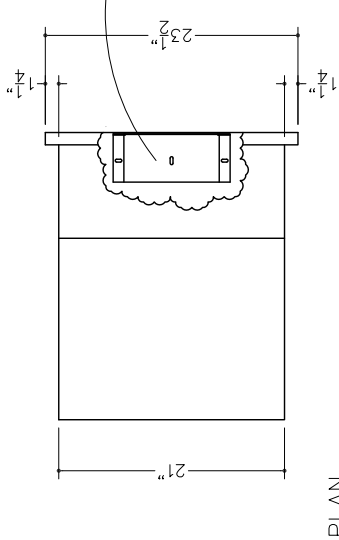


DO NOT SCALE

**www.American  
Vault®.us**

PRODUCT APPLICATION DRAWING  
PART NAMES  
2000 SERIES DEPOSITORY

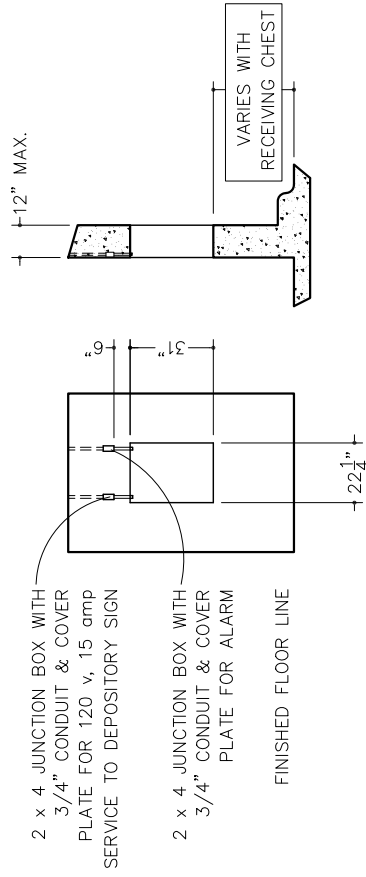
SIZE	DWG NO	DATE	SHEET
<b>AA</b>	FIGURE 1-1	09.13.2011	2 OF 2



OPTIONAL CAMERA MOUNT KIT  
REF AVC DWG #20150  
(SET-UP TO RECEIVE SANYO  
CUBE CAMERA AND LENS)

PLAN

SHOWN WITH OUTER HOUSING (P/N 2034)



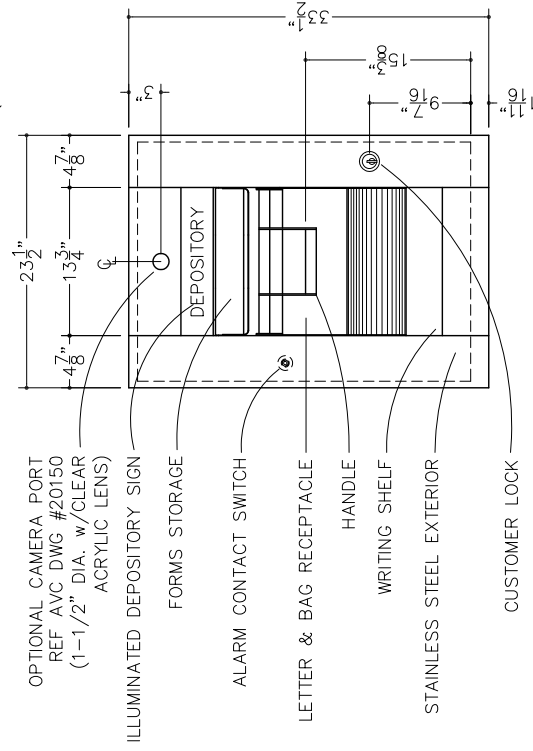
2 x 4 JUNCTION BOX WITH  
3/4" CONDUIT & COVER  
PLATE FOR 120 v, 15 amp  
SERVICE TO DEPOSITORY SIGN

2 x 4 JUNCTION BOX WITH  
3/4" CONDUIT & COVER  
PLATE FOR ALARM

FINISHED FLOOR LINE

VERTICAL SECTION

FINISHED OPENING  
(INTERIOR ELEVATION)



OPTIONAL CAMERA PORT  
REF AVC DWG #20150  
(1-1/2" DIA. w/CLEAR  
ACRYLIC LENS)

ILLUMINATED DEPOSITORY SIGN

FORMS STORAGE

ALARM CONTACT SWITCH

LETTER & BAG RECEPTACLE

HANDLE

WRITING SHELF

STAINLESS STEEL EXTERIOR

CUSTOMER LOCK

EXTERIOR ELEVATION

SHOWN WITH OUTER HOUSING (P/N 2034)

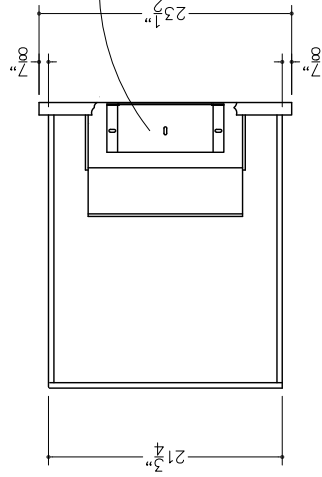


**American**  
**Vault**® Waco, Texas

DESCRIPTION PRODUCT APPLICATION DRAWING  
2000 SERIES DEPOSITORY  
W/OUTER HOUSING  
MODEL 85-2034

SIZE	DWG. NO.	DATE	SCALE	NONE
<b>B</b>	20005	09.12.2011		SHEET 1 of 1

- NOTES:
- OUTER HOUSING IS TO BE WELDED TO RECEIVING CHEST AND REQUIRES ENCASEMENT IN 6" OF CONCRETE.



OPTIONAL CAMERA MOUNT KIT  
REF AVC DWG #20150  
(SET-UP TO RECEIVE SANYO  
CUBE CAMERA AND LENS)

2 x 4 JUNCTION BOX WITH  
3/4" CONDUIT & COVER  
PLATE FOR 120 v, 15 amp  
SERVICE TO DEPOSITORY SIGN

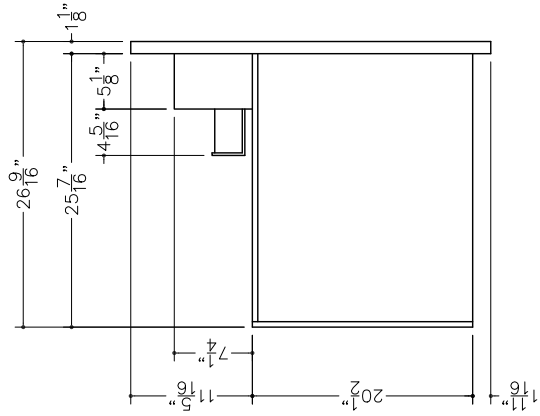
2 x 4 JUNCTION BOX WITH  
3/4" CONDUIT & COVER  
PLATE FOR ALARM  
FINISHED FLOOR LINE

VARIES WITH  
RECEIVING CHEST

(BUILDING EXTERIOR)

PLAN

SHOWN WITH NON-GROUT OUTER HOUSING (P/N 2063)



OPTIONAL CAMERA PORT  
REF AVC DWG #20150  
(1-1/2" DIA. w/CLEAR  
ACRYLIC LENS)

ILLUMINATED DEPOSITORY SIGN

FORMS STORAGE

ALARM CONTACT SWITCH

LETTER & BAG RECEPTACLE

HANDLE

WRITING SHELF

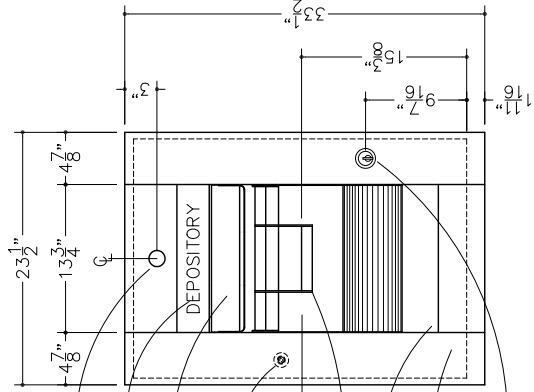
STAINLESS STEEL EXTERIOR

CUSTOMER LOCK

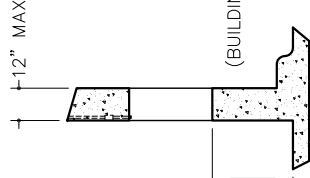
SIDE ELEVATION

SHOWN WITH NON-GROUT OUTER HOUSING (P/N 2063)

FINISHED OPENING  
(INTERIOR ELEVATION)



VERTICAL SECTION



**American**  
**Vault**® Waco, Texas

DESCRIPTION PRODUCT APPLICATION DRAWING  
2000 SERIES DEPOSITORY  
W/NON-GROUT OUTER HOUSING  
MODEL 85-2063

SIZE	DWG. NO.	DATE	SCALE	NONE
<b>B</b>	20006	09.12.2011		
				SHEET 1 of 1

NOTES:

- NON-GROUT OUTER HOUSING (P/N 2063) IS TO BE WELDED TO RECEIVING CHEST AND SHOULD NOT BE ENCASED IN CONCRETE.

## 2 INSTALLATION

### 2.1 Safety and Pre-Installation Procedures

- 2.1.1 Only professionals experienced and qualified in the installation should install this product. Misuse, lack of supervision and inspection can contribute to serious accidents or death.
- 2.1.2 Keep the work area clear of all trash and clutter.
- 2.1.3 Because of the extreme and concentrated weight of components; installations can be dangerous. Special methods for installation have been devised. Be sure the appropriate procedures are followed.
- 2.1.4 Know location of the nearest medical facility and "911" availability.
- 2.1.5 Verify the condition of safety equipment and tools.
- 2.1.6 When arriving at job-site introduce yourself to the General Contractor and/or job superintendent, explain:
  - The equipment you will be installing.
  - What your schedule will be.
  - What will be required of the contractor and/or electrician?
- 2.1.7 Check best route into building. Inform G.C. of weights involved. Inform G.C. of existing floor cracks or damage. If a basement or floor exists below the route of travel and/or under the installation area, the G.C. and all trades must be notified.
- 2.1.8 Caution other persons in the building to avoid the installation area. It is recommended to "cordon-off" the area.
- 2.1.9 It is the responsibility of the installer to anticipate and correct all hazardous conditions, including careless or thoughtless act of assistants or technicians who misguidedly try to "help".

### 2.2 Apparel

- 2.2.1 Personal safety equipment required (but not limited to):
  - Hard Hat, Safety Glasses, Safety Shoes, Gloves, First aid kit
- 2.2.2 Wear a hard hat whenever working at an installation or construction site.
- 2.2.3 Wear high top safety shoes with non-slip soles. Tools, bars, cribbing, rollers, etc. are frequently dropped and can cause injury.
- 2.2.4 Safety glasses are a must.
- 2.2.5 Leather faced gloves should be worn when handling cribbing, cables, chains or unfinished metals.

### 2.3 Unpacking and Inspection

- 1. Open shipping carton and remove the contents.

The carton should contain the following items:

- 1 ea. 2000 Series Model 85 Depository Operation & Installation Manual
- 1 ea. Model 85 Depository
- 1 ea. Outer Housing  
(This would be either a 2034 or 2063 depending on the model purchased)
- 25 ea. Keys
- 1 ea. 7005-0003 Switch, Plunger Limit
- 2 ea. HHCS ¼-20 x ¾
- 2 ea. Nut Hex ¼-20

- 2. Remove lock nut from interior rear of depository outer housing by reaching under pallet. Do not discard this nut as it will be used during installation. Grasping depository fascia on each side, slide the unit out of outer housing and set aside. With depository unit out of the way, remove lag bolts in lower front of housing that secure it to the pallet.

## 2 INSTALLATION (continued)

### 2.4 Site Requirements

Determine the use of the depository (ex: Walk-up or Drive-up unit). The unit should be located in a well lighted, high visibility area and should be protected from the elements with an overhead canopy or other appropriate structure. It is also recommended that a camera be installed to monitor the unit. If a Walk-up unit is to be installed, certain guidelines should be followed to insure that location complies with applicable ADA regulations.

There should be (2) 2 x 4 junction boxes with cover plate and ¾" conduit extending above ceiling line installed above opening. One (1) is for the alarm connection; one (1) is for electrical service to depository sign. In order to extend the life of the light fixture and lamp, the electrical service should be switched on & off using a photocell.

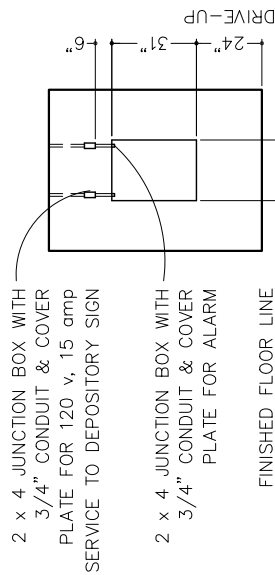
Refer to Figure 1-2 (drawing #20005) & Figure 1-3 (drawing #20006) for opening details.

### 2.5 Installation Sequence

1. Weld outer housing to appropriate receiving chest. When requested this will come from the factory welded in place.
2. Attach appropriate wire to plunger switch included. Mount plunger switch in bracket on left side of outer housing.
3. From interior of facility position the receiving chest, with outer housing attached, in wall opening so that the outer housing protrudes 1" from face of building exterior finished wall. Shim chest as required so that bottom of outer housing clears lower edge of opening.
4. From building exterior, install anchors through (2) holes in bottom of outer housing into wall.
5. From exterior of facility, with the use of a lifting device, raise depository unit up until it aligns with the outer housing. Slide the unit in approximately 6" until the service angles on the enclosure side clear the holes in the service angle attached to the sides of the outer housing.
6. Install ¼-20 x ¾" long HHCS and nuts provided in holes provided in service angle.
7. Using flex conduit, connect electrical service to depository sign.
8. Slide unit completely into outer housing guiding ¾-10 bolt, at rear of depository into hole in bar at rear of outer housing. Insure that backside of fascia contacts alarm switch previously installed. If switch needs adjustment now is the time.
9. Install ¾-10 lock nut from inside safe compartment.
10. Check exterior for air gaps and apply sealant as required.

**NOTES:**

1. APPROXIMATE WEIGHT (CHEST ONLY) : 575 LBS.
2. FINISH: TAUPE
3. RIGHT SWING SHOWN. LEFT SWING OPPOSITE.
4. P/N 2034 OUTER HOUSING IS TO BE WELDED TO RECEIVING CHEST AND REQUIRES ENCASEMENT IN 6" OF CONCRETE.
5. P/N 2063 NON-GROUT OUTER HOUSING IS TO BE WELDED TO RECEIVING CHEST AND SHOULD NOT BE ENCASED IN CONCRETE.
6. INTERIOR WALL OPENING AROUND OUTER HOUSING IS TO BE FILLED (BY OTHERS) USING APPROPRIATE MATERIALS.



FINISHED OPENING (INTERIOR ELEVATION)



P/N 2034 OUTER HOUSING (GROUT REQUIRED)

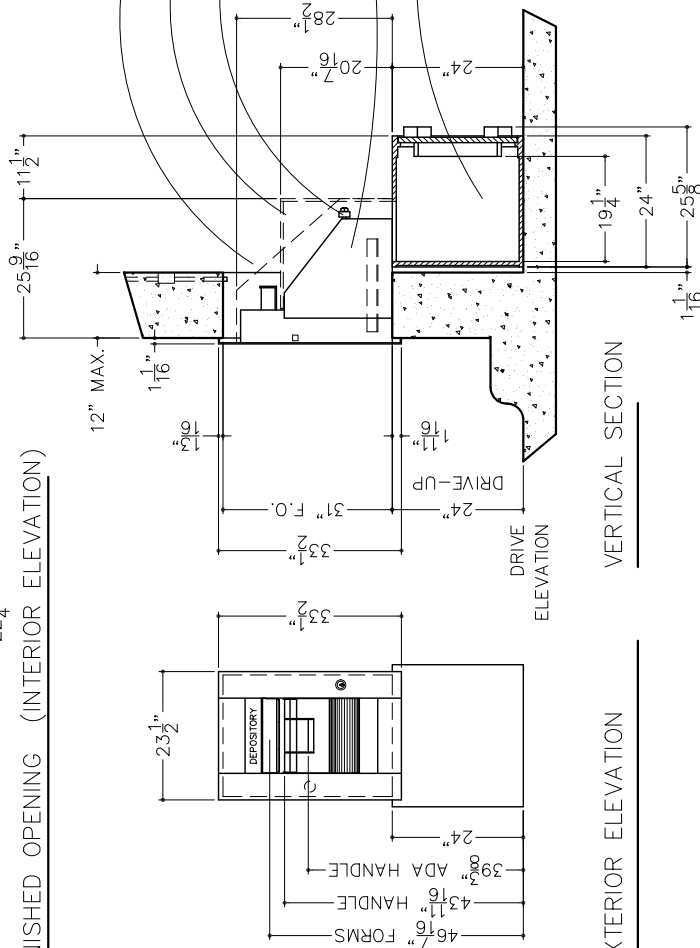
P/N 2063 NON-GROUT OUTER HOUSING

DEPOSITORY LOCK NUT

MODEL 85 DEPOSITORY

MODEL 970-1 RECEIVING CHEST, TL-15

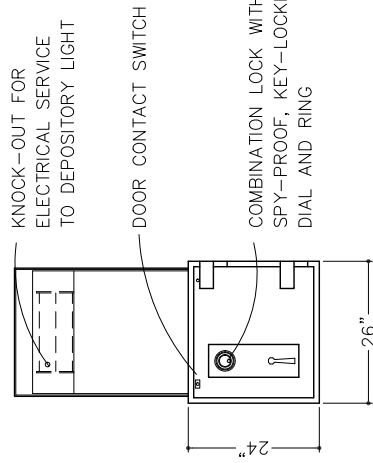
FINISHED FLOOR ELEVATION



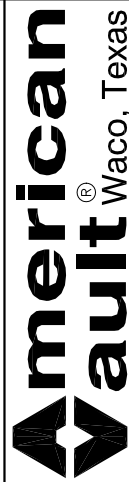
EXTERIOR ELEVATION

VERTICAL SECTION

INTERIOR ELEVATION



DO NOT SCALE



PRODUCT APPLICATION DRAWING  
 MODEL 970-1 TL-15 RECEIVING CHEST  
 w/MODEL 85 DEPOSITORY

SIZE **B**

DWG NO 20043

DATE 08.30.2011

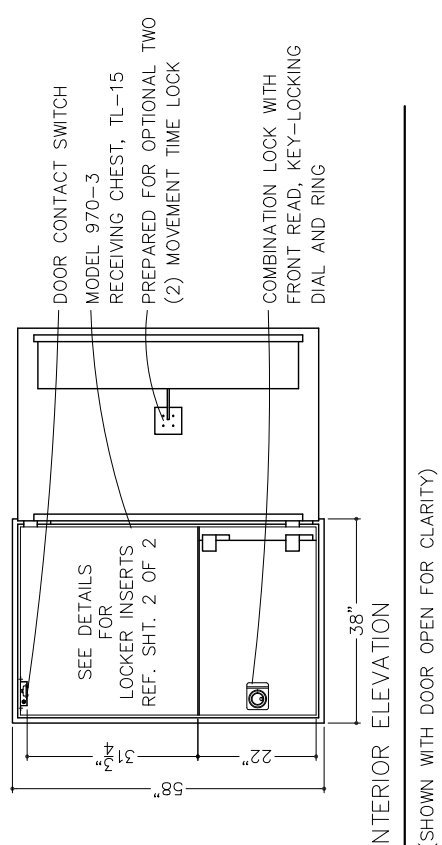
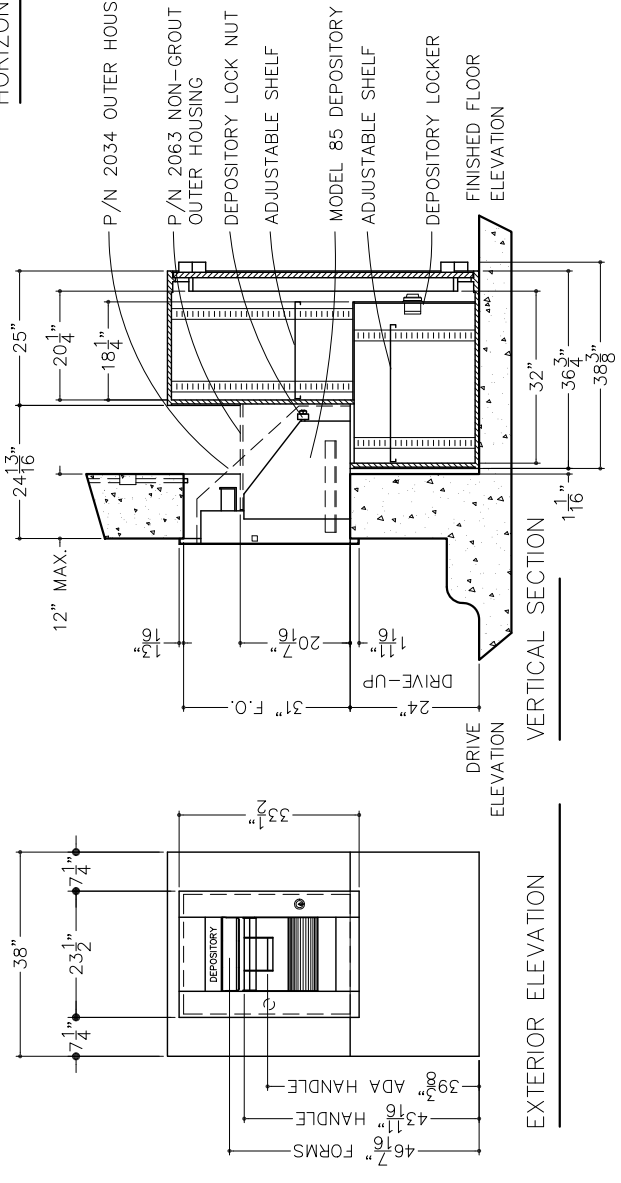
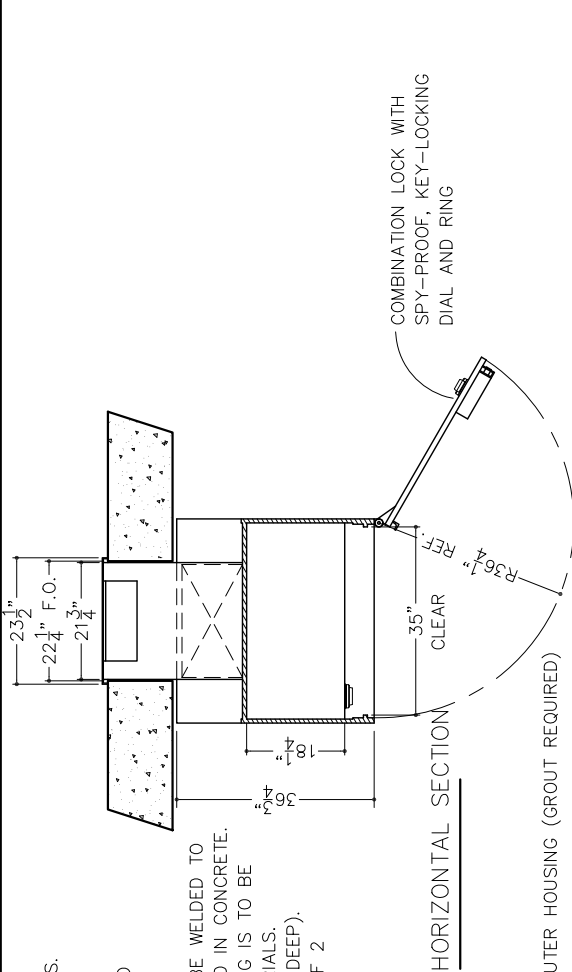
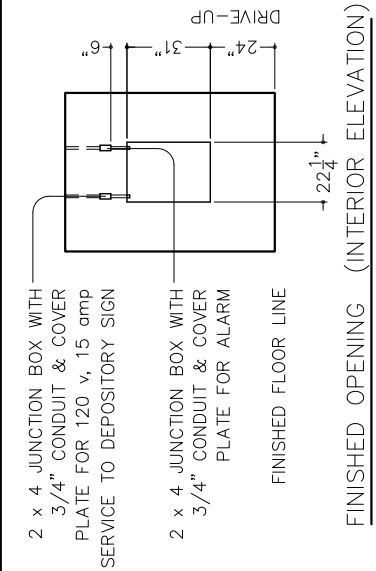
SHEET 1 OF 1



**CAUTION!**  
 ONLY PROFESSIONALS EXPERIENCED  
 AND QUALIFIED IN THE INSTALLATION  
 OF SAFES SHOULD INSTALL THIS  
 PRODUCT.



- NOTES:
1. APPROXIMATE WEIGHT (CHEST ONLY) : 1,865 LBS.
  2. FINISH: TAUPE
  3. RIGHT SWING SHOWN. LEFT SWING OPPOSITE.
  4. P/N 2034 OUTER HOUSING IS TO BE WELDED TO RECEIVING CHEST AND REQUIRES ENCASEMENT IN 6" OF CONCRETE.
  5. P/N 2063 NON-GROUT OUTER HOUSING IS TO BE WELDED TO RECEIVING CHEST AND SHOULD NOT BE ENCASED IN CONCRETE.
  6. INTERIOR WALL OPENING AROUND OUTER HOUSING IS TO BE FILLED (BY OTHERS) USING APPROPRIATE MATERIALS.
  7. SET-UP TO RECEIVE 500 SERIES LOCKERS (18" DEEP). REFERENCE LOCKER SPECIFICATIONS. SHEET 2 OF 2



**American Vault**® Waco, Texas

DESCRIPTION PRODUCT APPLICATION DRAWING  
MODEL 970-3 RECEIVING CHEST SHOWN WITH  
MODEL 85 DEPOSITORY INSTALLED

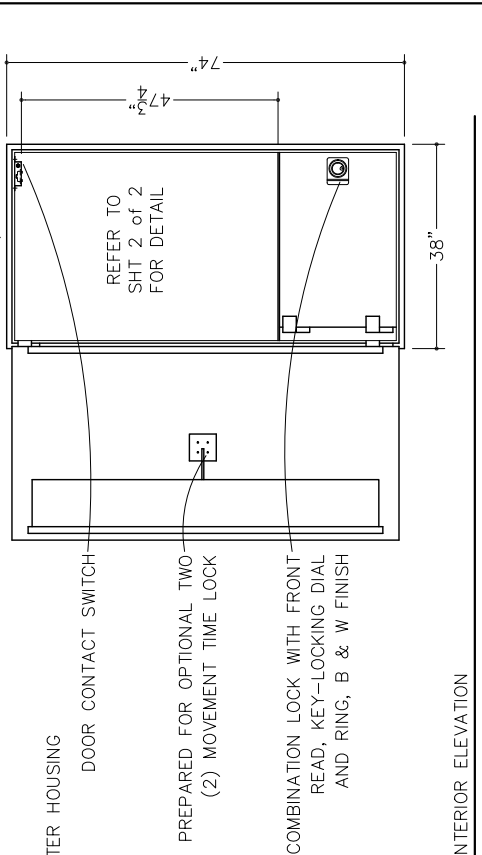
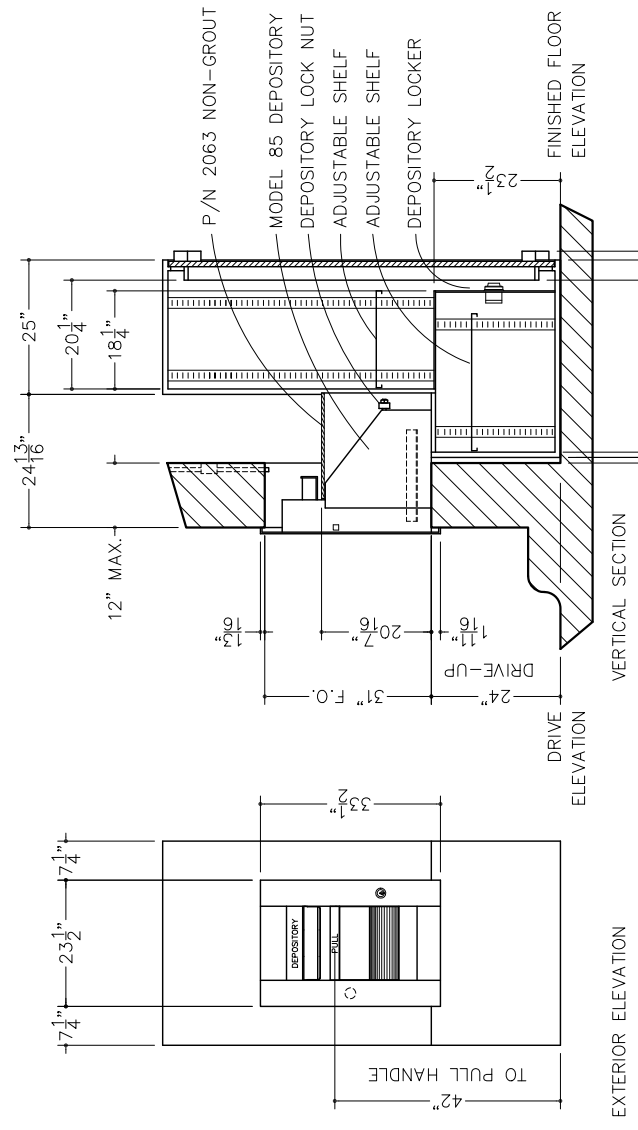
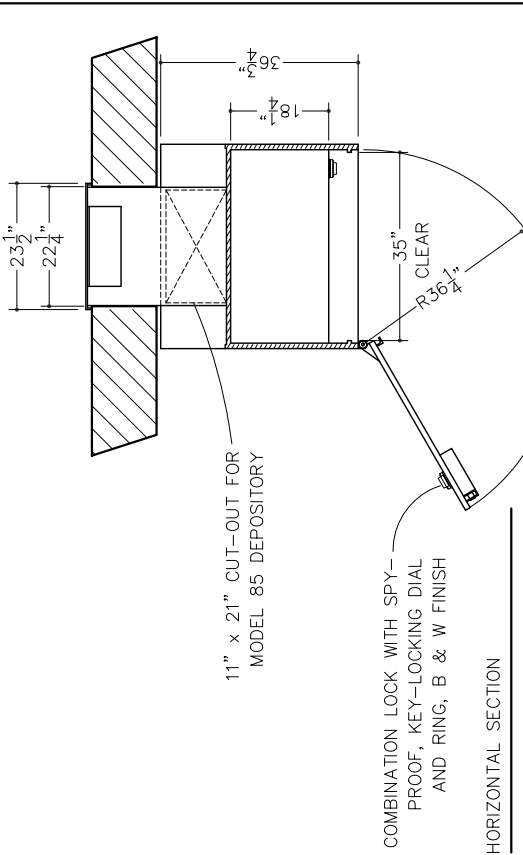
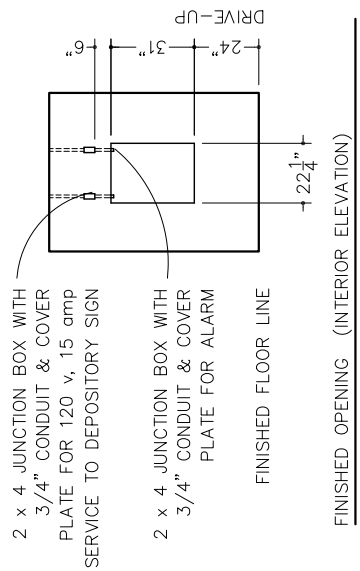
SIZE	DWG. NO.	DATE	SCALE	NONE
<b>B</b>	20045	08.30.2011		

**UL** LISTED

**CAUTION!**  
ONLY PROFESSIONALS EXPERIENCED AND QUALIFIED IN THE INSTALLATION OF SAFES SHOULD INSTALL THIS PRODUCT.

**NOTES:**

1. APPROXIMATE WEIGHT (CHEST ONLY) : 2,210 LBS.
2. FINISH: BEIGE
3. LEFT SWING SHOWN. RIGHT SWING OPPOSITE.
4. P/N 2063 NON-GROUT OUTER HOUSING IS TO BE WELDED TO RECEIVING CHEST AND SHOULD NOT BE ENCASED IN CONCRETE.
5. INTERIOR WALL OPENING AROUND OUTER HOUSING IS TO BE FILLED (BY OTHERS) USING APPROPRIATE MATERIALS.
6. SET-UP TO RECEIVE 500 SERIES LOCKERS (18" DEEP).  
REFERENCE LOCKER SPECIFICATIONS.



**American Vault**® Waco, Texas

DESCRIPTION PRODUCT APPLICATION DRAWING  
MODEL 970-4 RECEIVING CHEST  
SHOWN WITH  
MODEL 85 DEPOSITORY INSTALLED

SIZE	DWG. NO.	DATE	SCALE	NONE
<b>B</b>	20111	01.09.09		

INTERIOR ELEVATION  
(SHOWN WITH DOOR OPEN FOR CLARITY)

VERTICAL SECTION

EXTERIOR ELEVATION

**CAUTION!**  
ONLY PROFESSIONALS EXPERIENCED  
AND QUALIFIED IN THE INSTALLATION  
OF SAFES SHOULD INSTALL THIS  
PRODUCT.

### 3 OPERATION

#### 3.1 Devices

##### 3.1.1 Lock & Key

Located on the lower right front of the fascia.

##### 3.1.2 Light Fixture & Lamp

Located in the upper middle of fascia behind "Depository" sign.

##### 3.1.3 Plunger Switch

Located on the upper left side of the outer housing.

##### 3.1.4 Receptacle

Located in the middle of the unit.

##### 3.1.5 Pull Handle

Located on the upper edge of the receptacle.

#### 3.2 Letter & Bag Set-UP

Unless otherwise specified all units are shipped from the factory as Letter & Bag set-up. They can be field converted to Bag only set-up if required. Refer to Figure 3-1 for lock conversion instructions.

##### 3.2.1 Letter Operation Sequence

This sequence is intended for use by all customers. The depository will open to the letter position without the use of a key.

1. Firmly grasp handle on upper face of receptacle and pull until it stops. This will expose a deposit slot of approximately  $\frac{1}{2}$ " x 12".
2. Deposit envelope into slot making sure that it does not protrude above receptacle.
3. Grasp handle and close until it stops. (Note: Receptacle may not be re-opened until the closing cycle has been completed).
4. Open and close again to insure that receptacle is clear of deposit.

##### 3.2.2 Bag Operation Sequence

The key will unlock the receptacle to open to the bag position. This mode of operation is intended for use by customers who have been issued keys.

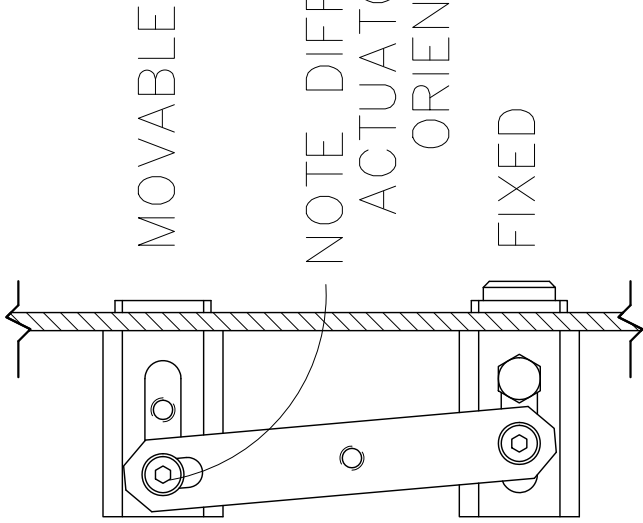
1. Insert key into lock.
2. Turn key counter clockwise to unlock.
3. Firmly grasp handle on upper face of receptacle and pull until it stops. This will expose a deposit slot of approximately 7" x 12".
4. Deposit bag into slot making sure that it does not protrude above receptacle.
5. Grasp handle and close until it stops. (Note: Receptacle may not be re-opened until the closing cycle has been completed).
6. Open and close again to insure that receptacle is clear of deposit.
7. Turn key clockwise to lock and remove. (Note: Key cannot be removed while receptacle is open).

#### 3.3 Bag Only Set-up

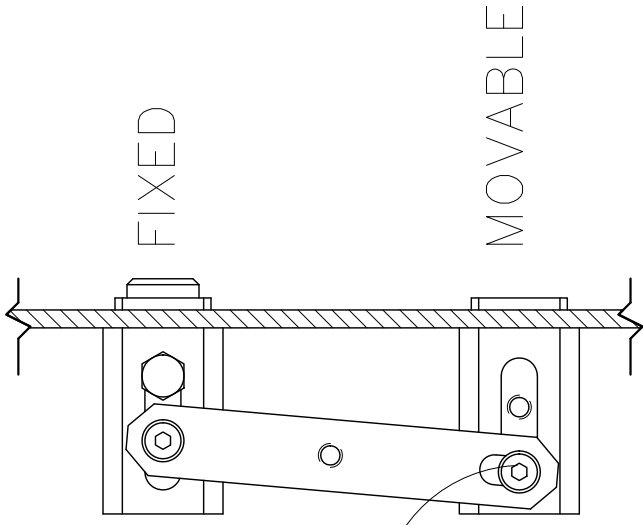
The key will unlock the receptacle to open to the bag position. The receptacle will not open to expose an envelope slot. This mode of operation is intended for use only by customers who have been issued keys. For sequence of operation reference to section 3.1.2.

#### 3.4 Lock Conversion Detail

Refer to Figure 3-1.



-01  
 LOCK SET-UP FOR  
 LETTER & BAG DEPOSIT



-02  
 LOCK SET-UP FOR  
 BAG DEPOSIT ONLY

DO NOT SCALE

**American**  
**Vault<sup>®</sup>.us**

PRODUCT APPLICATION DRAWING  
 LOCK CONVERSION DETAIL  
 2000 SERIES MODEL 85 DEPOSITORY

SIZE  
**A**

DWG NO  
 FIGURE 3-1

DATE  
 01.26.2009

SHEET  
 1 OF 1

## 4 MAINTENANCE

### 4.1 Preventative Maintenance

1. Do not expose depository to harsh chemicals typically used in the construction industry (such as "acid" for washing brick). These chemicals will permanently damage the appearance of the unit.
2. It is recommended that the light be placed on a switched circuit to prolong the life of the lamp.
3. Unit should be well protected from the elements (such as rain) by a canopy or other appropriate structure.
4. Unit should be placed in a well lighted area to protect it from vandalism.
5. Unit should be monitored by a surveillance camera for protection from vandalism.

### 4.2 Periodic Maintenance

1. Apply lubricating grease once a year to all operating linkages and mechanisms. Recommended lubricant Novagard #G322L or equivalent.
2. Replace lamp in depository sign as needed.
3. Check to insure that gasket around light cover is intact. Replace as needed.
4. Apply lubricant to lock once a year.
5. Check alarm contact switch on outer housing for continuity.