

**300 Series UL Listed Deal Drawer  
Installation and Operation Manual  
January 15, 2009**



Model 1000A,  
UL Level 1

**CAUTION**

**THIS PRODUCT SHOULD ONLY BE INSTALLED AND  
SERVICED BY PROFESSIONALS EXPERIENCED AND  
QUALIFIED IN THE INSTALLATION OF DEAL DRAWERS  
AND B/R WINDOWS**

Drawer Manufacture Date:

Drawer UL/Serial Number:



## **TABLE OF CONTENTS**

### **SECTION**

### **DISCLAIMER**

### **WARNINGS**

## **1 INTRODUCTION**

- 1.1 Product Overview
- 1.2 Specifications
- 1.3 Names of the Parts (Figure 1-1)
- 1.4 Dimensional Specifications (Figure 1-2)

## **2 INSTALLATION**

- 2.1 Unpacking and Inspection
- 2.2 Site Requirements
- 2.3 Rough Opening Details (Figure 2-1)
- 2.4 Installation Drawing (Figure 2-2)

## **3 OPERATION**

- 3.1 Switches, Indicators and Fuses
- 3.2 Devices
- 3.3 Electrical Operation Sequence
- 3.4 Manual Operation Sequence
  - 3.4.1 Manual Conversion Detail (Figure 3-1)

## **4 MAINTENANCE**

- 4.1 Preventative Maintenance
- 4.2 Periodic Maintenance

## DISCLAIMER

The material in this manual is for information purposes only. The contents and the product it describes are subject to change without notice. The manufacturer makes no representations or warranties with respect to this manual. In no event shall the manufacturer be liable for any damages, direct or incidental arising out of or related to the use of this manual.

This product was designed for certain applications only. It may not be modified and/or used for any application other than that for which it was designed.

Design specifications of the product described herein is subject to change without notice. The manufacturer reserves the right to make such changes without incurring any obligation to make them in units previously sold.

Differences between the unit you received and the views contained herein are the result of design improvement and/or the addition of options as specified.

## WARNINGS

**Caution:** If not properly installed, operated and maintained, the use of this equipment presents the possibility of personal injury or property damage. Before use all persons who will install, operate or maintain this product should read this manual thoroughly. For safe, dependable performance, follow all instructions and recommendations contained herein.

**Caution:** To prevent fire or shock hazard, do not expose this product to rain or any type of moisture.

**Caution:** Keep hands clear of moving parts.

**Caution:** Always unplug unit from power source prior to cleaning or opening case top.

## 1 INTRODUCTION

### 1.1 Product Overview

This deal drawer is a durable, field proven unit. It has been designed to offer maximum package size in a small overall case, making it ideal for use as a replacement unit in existing installations as well as new installations.

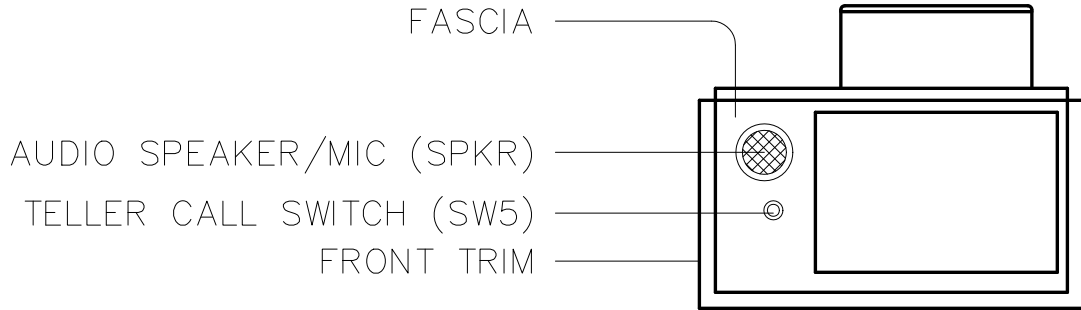
This deal drawer is based on the proven drop frame design. It uses bottom mount slides for smooth drawer travel with heavy loads, dual posi-drive belts for efficient, rugged power transmission.

The standard unit is set up for electrical operation with 12 inch travel. All units are capable of 18 inch travel. The deal drawer is equipped with speaker/mic, stainless steel fascia and front trim; black Formica covered wooden case top and wind weight.

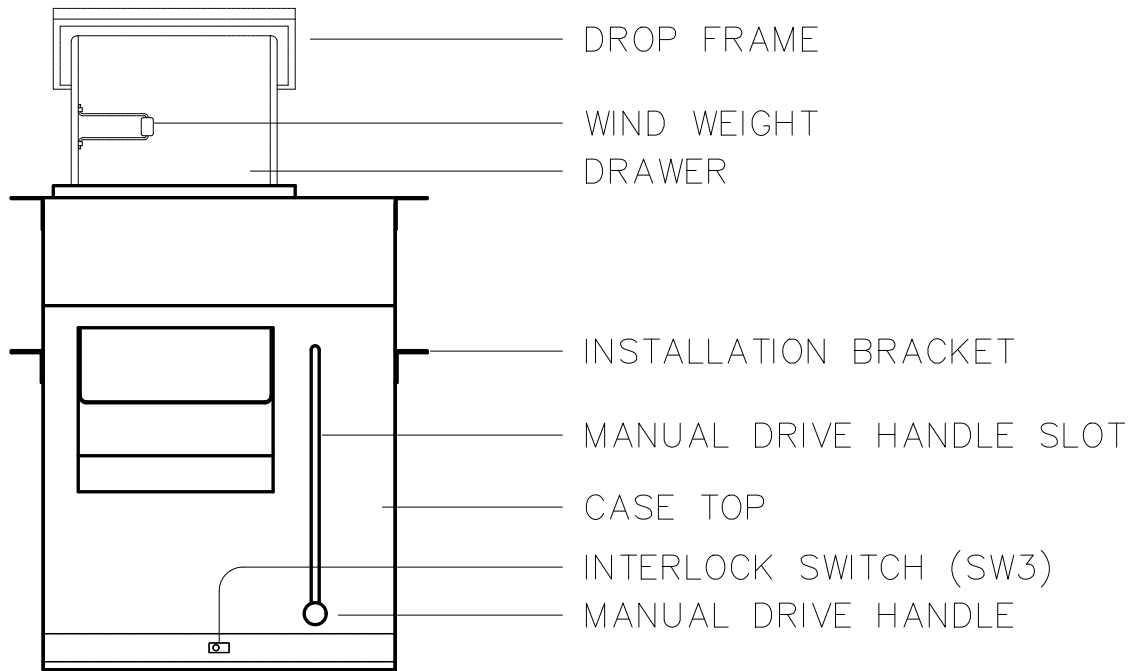
### 1.2 Specifications

Power Requirements:	120 Volt (50/60 Hz)
Power Consumption:	.47 Amps during Operation
Fuses:	2 Amps @ 125 Volt
Maximum Package Weight:	150 lbs.
Maximum Package Size:	12" W x 9" D x 6" H
Drawer Travel Speed:	6" per second
Dimensions:	22" W x 29-1/2" D x 12" H
Weight:	150 lbs.

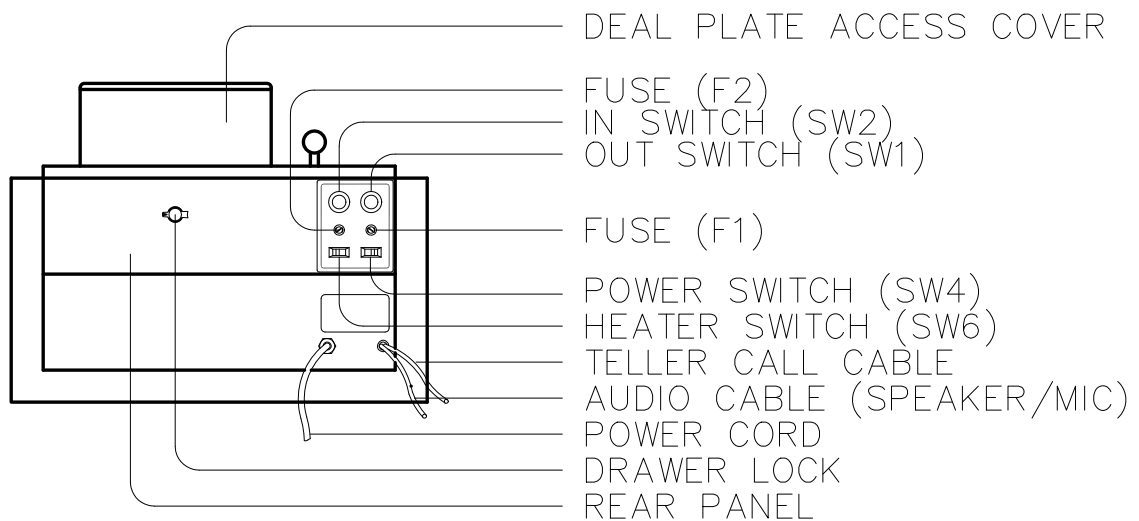
# 1.3 NAMES OF THE PARTS



## FRONT ELEVATION



## PLAN



## REAR ELEVATION

FIG. 1.1 PART LOCATIONS



# 1.4 DIMENSIONAL SPECIFICATIONS

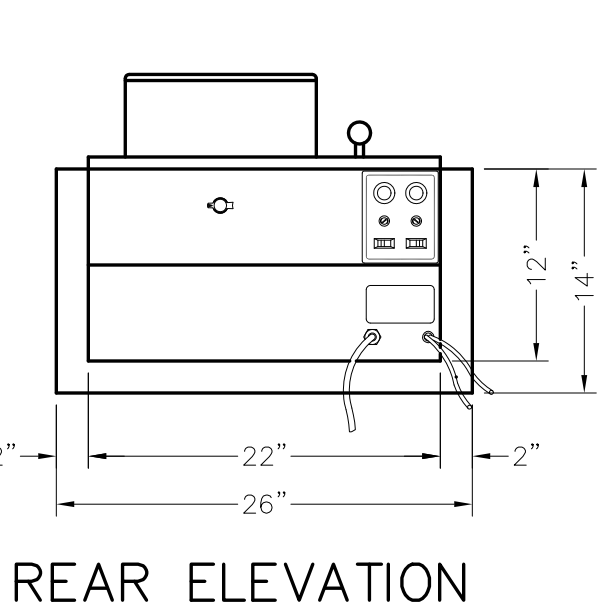
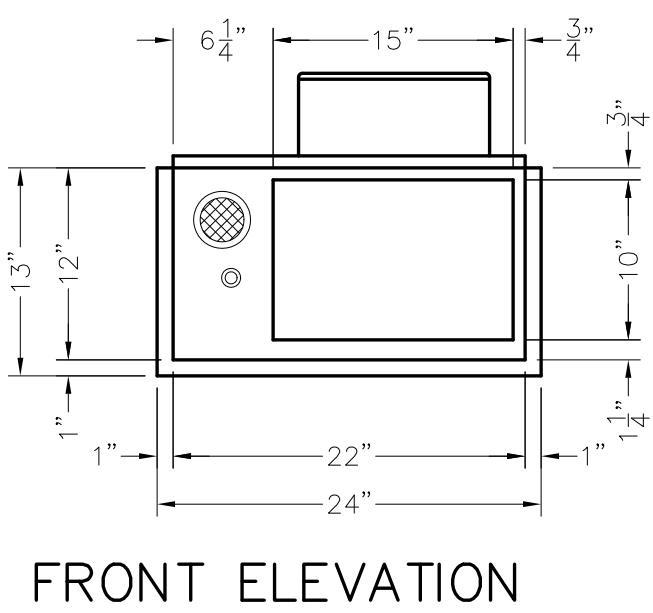
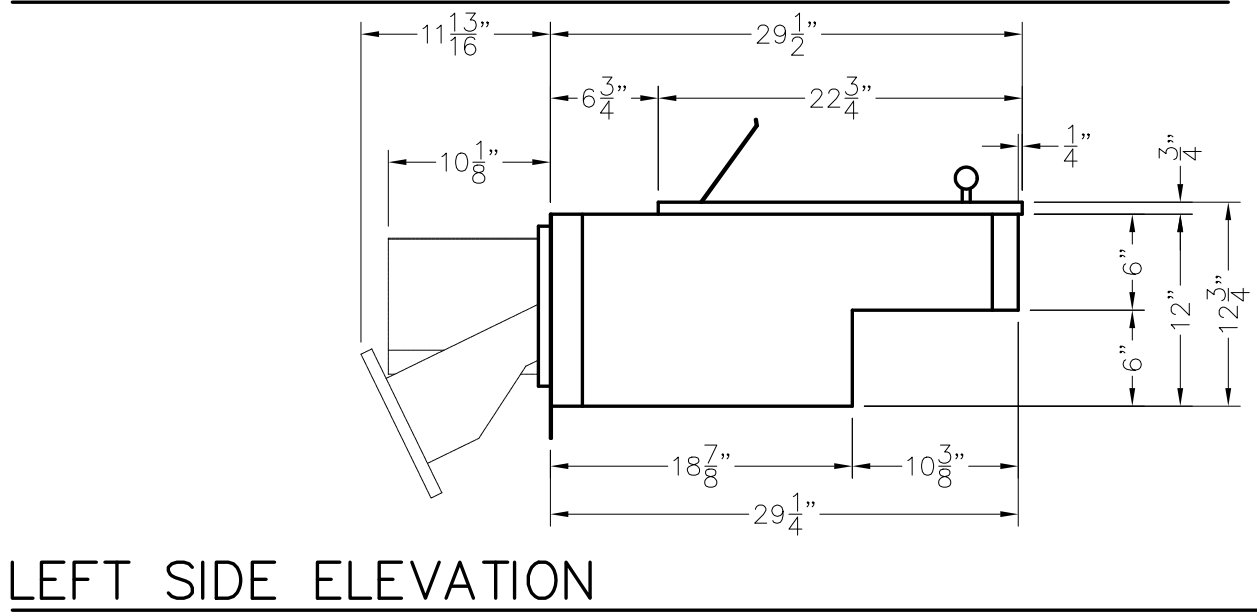
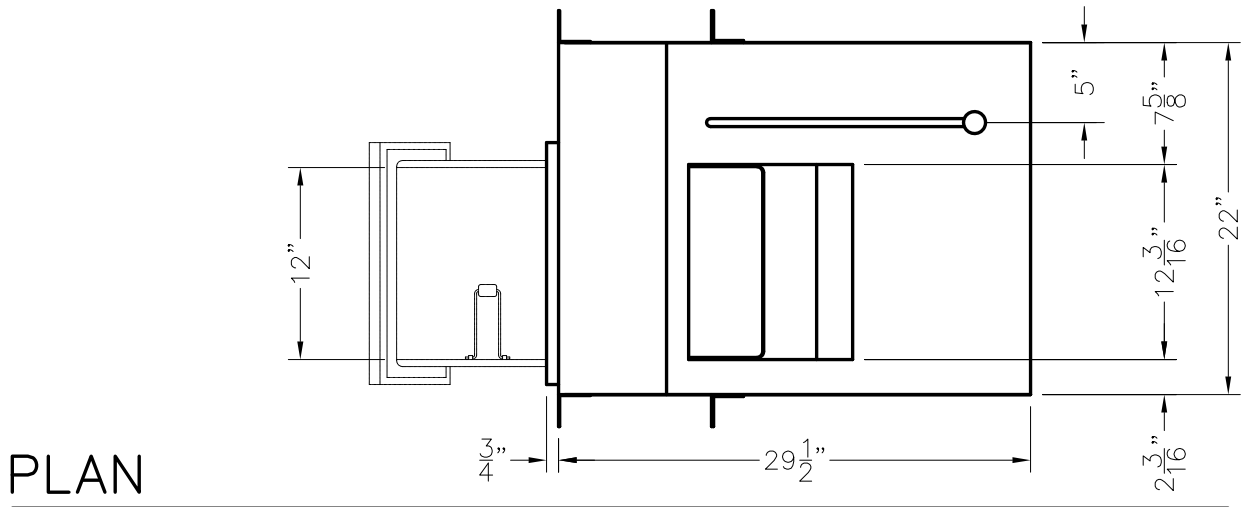


FIG. 1.2 DIMENSIONAL DRAWING



## 2 INSTALLATION

### 2.1 Unpacking and Inspection

Open shipping carton and remove the contents.

The carton contains the following items:

- 1 ea. 300-1000 Deal Drawer Final Assembly
- 1 ea. 300-1145 Installation Bracket
- 1 ea. Operating & Installation Manual
- 1 ea. Accessory Kit containing the following:
  - 2 ea. 8095-3024 Screw, HHC 3/8-16x3/4
  - 4 ea. 8031-3524 Screw, HWH TEK #12X3/4
  - 2 ea. 8347-0375 Nut Retainer 3/8-16
  - 2 ea. 8180-0338 Flat Washer 3/8
  - 1 ea. 300-3000 Manual Drive Handle Assembly

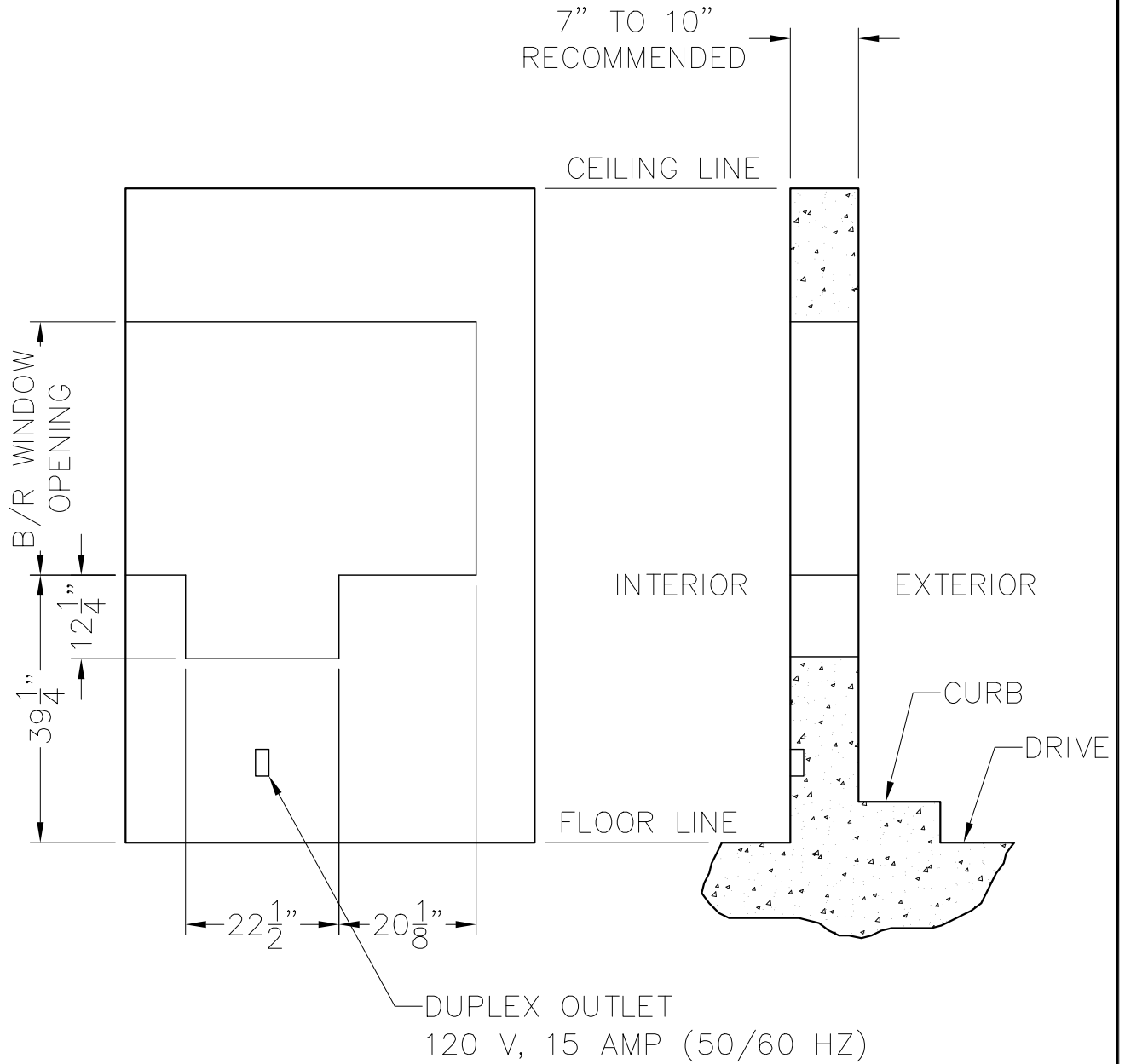
### 2.2 Site Requirements

The deal drawer can be installed in any office environment. No special wiring is required. The installation bracket provided is sufficient to secure deal drawer. However, it is recommended that the rear of drawer be supporting structure (ex: under counter steel).

Refer to Figure 2-1 for Rough Opening Detail

Refer to Figure 2-2 for Installation Drawing

## 2.3 SITE DETAIL



INTERIOR ELEVATION

VERTICAL SECTION

FIG. 2.1 ROUGH OPENING



## 2.4 TYPICAL INSTALLATION

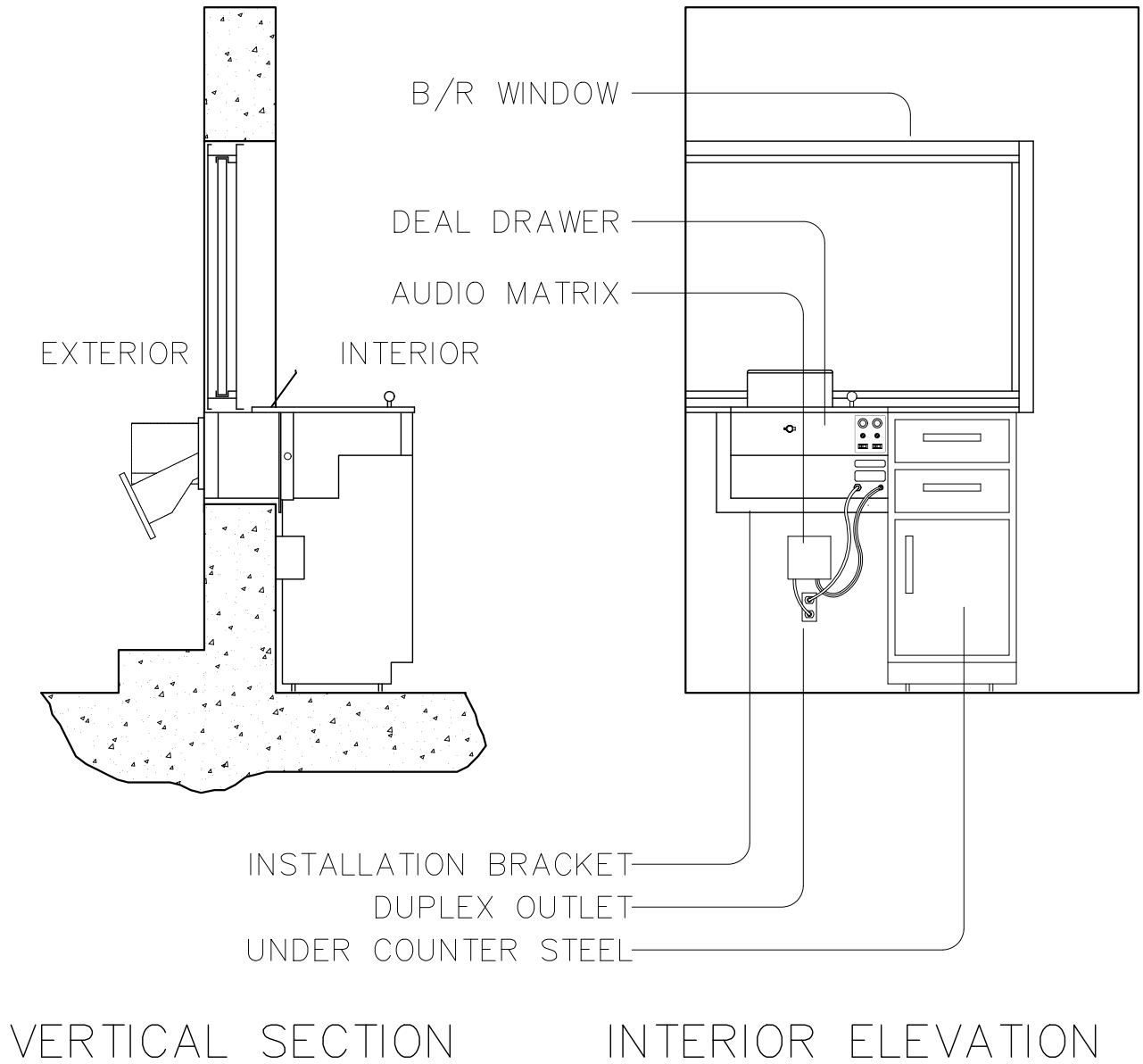


FIG. 2.2 INSTALLATION DRAWING



### 3 OPERATION

#### 3.1 Switches, Indicators and Fuses

##### 3.1.1 Power Switch (SW4)

The Power Switch is located on the right side of the deal drawer at the rear. It is used to turn the AC power on or off. When power is supplied to the unit the indicator light will be lit.

##### 3.1.2 Out Switch (SW1)

The Out Switch is located on the right side of the deal drawer at the rear. When pushed the drawer will travel outward. Drawer will move only while switch is pushed.

##### 3.1.3 In Switch (SW2)

The In Switch is located on the right side of the deal drawer at the rear. When pushed the drawer will travel inward. Drawer will move only while switch is pushed.

##### 3.1.4 Heater Switch (SW6) (optional)

The Heater Switch is located on the right side of the deal drawer at the rear. It is used to turn the optional heater on or off. When power is supplied the indicator light will be lit. The heater is pre-set for 125 deg F and is not adjustable.

##### 3.1.5 Fuse (F1)

The fuse is located on the right side of the deal drawer at the rear.

It is used to protect the gear motor (M1) from excessive current. This unit requires an AGC 2 amp, 125 volt fuse. Do not attempt to use a larger fuse as doing so may create a fire hazard.

##### 3.1.6 Teller Call Switch (SW5)

The Teller Call Switch is located on the left side of the deal drawer at the front. It is used as a signaling device for connection to audio system.

##### 3.1.7 Interlock Switch (SW3)

The Interlock Switch is located on the top of the rear panel at the rear of the drawer, under the case top. It is used to disconnect power from internal components when case top is raised.

##### 3.1.8 Fuse (F3)

The fuse is located on the right side of the deal drawer at the rear.

It is used to protect the unit from excessive current. This unit requires an AGC 10 amp, 250 volt fuse. Do not attempt to use a larger fuse as doing so may create a fire hazard.

##### 3.1.9 Fuse (F2)

Located on the optional Heater Assembly (300-1400) this fuse protects the Heater Assembly from excessive over current.

##### 3.1.10 Extend Limit Switch (LS1)

Located in the lower drawer body near the front. This switch controls the extend limits.

##### 3.1.11 Retract Limit Switch (LS2)

Located in the lower drawer body near the rear. This switch controls the retract limits.

##### 3.1.12 Gear Motor (M1)

Located on the interior of the drawer body under the case top. This is the main drive motor.

#### 3.2 Devices

##### 3.2.1 Drawer Lock

This lock is located on left center of deal drawer at the rear. It is used to secure drawer when not in use (ex: after hours).

##### 3.2.2 Wind Weight

Wind Weight is located on the right side of the drawer near the front. It is used to secure items that are deposited in the drawer. There are two mounting positions and it can be removed for packages requiring greater space.

##### 3.2.3 Manual Drive Handle

Handle is used as a means to move drawer in and out in case of electrical failure.

### 3 OPERATION (continued)

#### 3.2 Devices (continued)

##### 3.2.4 Drive Hub

Hub is used to release driven pulley from transmission in order that drawer can be operated manually. Refer to Figure 3.1.

##### 3.2.5 Manual Drive Handle Slot

Slot is located on the right side of case top. Slot is provided as a path for manual handle. Slot filler must be removed in order to expose slot.

##### 3.2.6 Case Top

Case Top is covering the top of the deal drawer body. It is a Formica covered wooden surface. It is hinged for service access.

##### 3.2.7 Deal Plate Access Cover

Cover is located in top of drawer near the front. It is used to cover opening in case top as drawer travels out.

#### 3.3 Electrical Operation Sequence

1. Ensure the drawer lock is in unlocked position.
2. Ensure exterior of drawer is clear of all obstructions (ex: automobiles, persons, etc.).
3. Check for items on case top that would impair function of drawer. Making sure that areas around deal plate access cover are clear.
4. Turn Power Switch on.
5. Push "Out" switch until drawer comes to a stop. Operator may stop at any time and retract drawer.
6. With drawer extended customer has access to drawer.
7. Ensuring that customer is clear of drawer operator pushes "In" switch until drawer retracts completely and stops.
8. Turn Power off at the end of work day.
9. Rotate drawer lock clockwise to locked position.

#### 3.4 Manual Operation Sequence (Refer to Figure 3.1)

1. Unplug deal drawer from outlet.
2. Raise case top and secure to keep from falling.
3. If drive hub is not accessible, use manual drive handle to push drawer forward approximately 6".
4. With drawer forward, disengage drive hub from driven pulley. To disengage, move drive hub to the left and rotate approximately  $\frac{1}{4}$  turn. Refer to Figure 3.1.
5. Remove manual handle slot filler from case top. Do not discard slot filler as it will be used when unit is restored to electrical operation.
6. Lower case top.
7. Insert manual drive handle through slot in case top into manual drive handle bracket underneath.
8. Using handle push until drawer comes to a stop.
9. To convert back to electrical operation follow steps in reverse.

### 3.4.1 MANUAL CONVERSION DETAIL

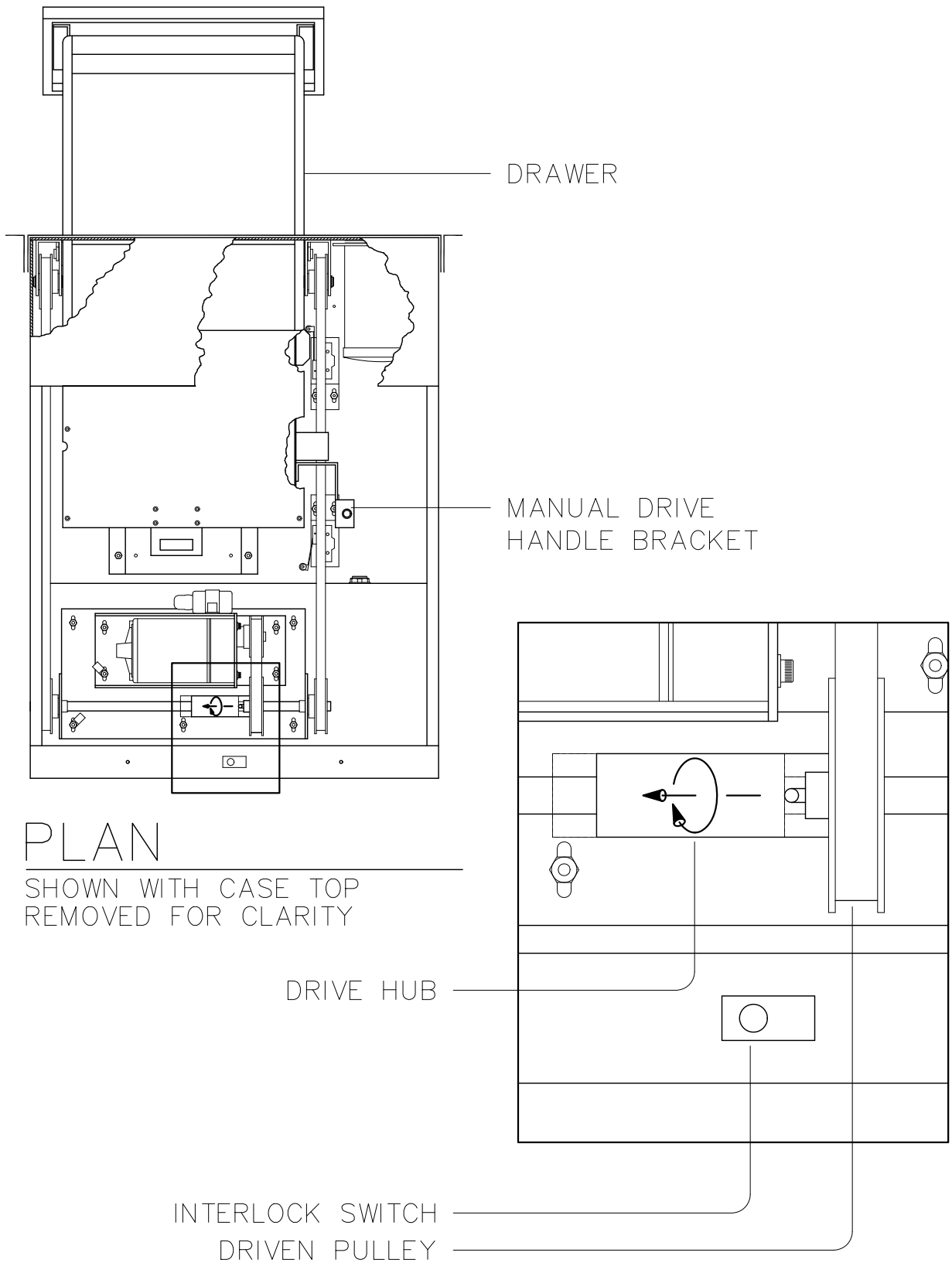


FIG. 3.1 MANUAL OPERATION



## 4 MAINTENANCE

### 4.1 Preventative Maintenance

- Keep all liquids away from the deal drawer. Accidental spillage of a liquid into the unit can cause severe damage.
- Do not place books, paper, adding machines or other items on top of the deal drawer.
- Special care should be taken to protect the deal drawer when used in a harsh environment.
- Do not attempt to operate deal drawer with drawer lock in locked position.
- If deal drawer is not going to be used for an extended period, unplug the power cord.
- Do not allow paperclips, pens, etc. to fall inside deal drawer.
- Do not attempt to defeat or bypass interlock switch.
- Check periodically to make sure "Caution-Keep Clear of Moving Parts" labels are still in place. If missing contact your authorized service representative.

### 4.2 Periodic Maintenance

- Cleaning the unit on a regular basis is the most important action the user can perform. The frequency is dependent upon the environment.
- Turn power off
- Unplug unit from the power source.
- Clean the case top and package area inside drawer with a soft cloth using only mild commercial cleaners.
- Lift the case top and secure so as not to fall. Vacuum or dust the inside area of the unit. Be careful not to damage any wires or switch settings.
- If the deal drawer should need servicing call an authorized service representative.