

**330 Series UL Listed, Level 1, B/R Window
Installation Manual
September 14, 2011**



Model 330-5 (3'x5')

Model 330-8 (3'x8')

Model 330-10 (3'x10')

Model 330-15 (3'x15')

CAUTION

**THIS PRODUCT SHOULD ONLY BE INSTALLED BY
PROFESSIONALS EXPERIENCED AND QUALIFIED IN THE
INSTALLATION OF B/R WINDOWS**

Manufacture Date:

UL/Serial Number:



7500 Mars Drive
Waco, TX 76712
(254) 776-0100 P
(254) 776-0700 F
www.AmericanVault.us

This page is blank

TABLE of CONTENTS

Section

DISCLAIMER

WARNINGS

1 INTRODUCTION

1.1 Product Overview

1.2 Specifications

1.3 Part Names (Figure 1-1)

1.4 Dimensional Specifications

Figure 1-2 (Drawing #20039) Model 330-5

Figure 1-3 (Drawing #20040) Model 330-8

Figure 1-4 (Drawing #20041) Model 330-10

Figure 1-5 (Drawing #20042) Model 330-15

2 INSTALLATION

2.1 Safety and Pre-Installation Procedures

2.2 Apparel

2.3 Tools and Supplies

2.4 Unpacking and Inspection

2.5 Site Requirements

2.6 Installation Procedures

Figure 2-1 Installed View-Exterior

Figure 2-2 Installed View-Interior

Figure 2-3 (Drawing #20174) Installed View-Sections

3 MAINTENANCE

3.1 Preventative Maintenance

3.2 Periodic Maintenance

DISCLAIMER

The material in this manual is for information purposes only. The contents and the product it describes are subject to change without notice. The manufacturer makes no representations or warranties with respect to this manual. In no event shall the manufacturer be liable for any damages, direct or incidental arising out of or related to the use of this manual.

This product was designed for certain applications only. It may not be modified and/or used for any application other than that for which it was designed.

Design specifications of the product described herein is subject to change without notice. The manufacturer reserves the right to make such changes without incurring any obligation to make them in units previously sold.

Differences between the unit you received and the views contained herein are the result of design improvement and/or the addition of options as specified.

WARNINGS

Caution: If not properly installed and maintained, the use of this equipment presents the possibility of personal injury or property damage. Before use all persons who will install and maintain this product should read this manual thoroughly. For safe, dependable performance, follow all instructions and recommendations contained herein.

Caution: This product incorporates laminated B/R Glass. As with all glass products there are sharp edges present.

1 INTRODUCTION

1.1 Product Overview

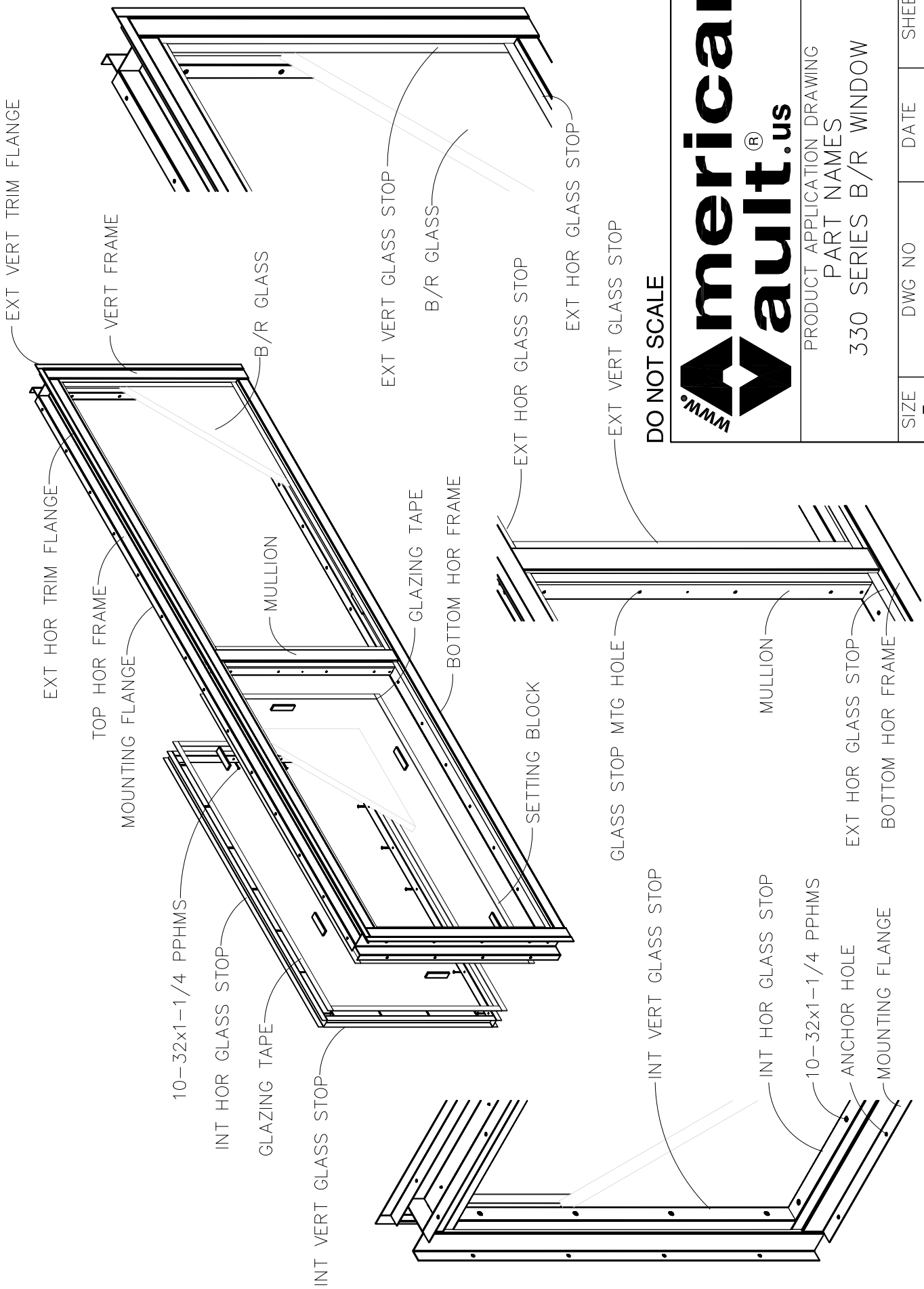
This UL Listed Level 1 B/R Window Assembly is tested, inspected and manufactured according to the Underwriters Laboratory standard UL 752. This standard covers materials, devices, and fixtures used to form bullet-resisting barriers which protect against robbery, holdup, or armed attack. The term "bullet-resisting" signifies that protection is provided against complete penetration, passage of fragments and projectiles, or fragmentation of the protective material to the degree that injury would be caused to a person standing directly behind the bullet-resisting barrier.

The welded stainless steel window frame assembly is designed as a bolt-in type system. For best results it should be installed after the exterior finish is applied and prior to the interior finish. There is an exterior trim flange on three sides with fixed exterior glass stops with removable interior glass stops.

All B/R Window Assemblies are available "Glazed" from the factory. The Models 330-5 & 330-8 are normally shipped "Glazed" from the factory. However, due to the "Glazed Weight" of Models 330-10 & 330-15, these units are normally shipped "Unglazed".

1.2 Specifications

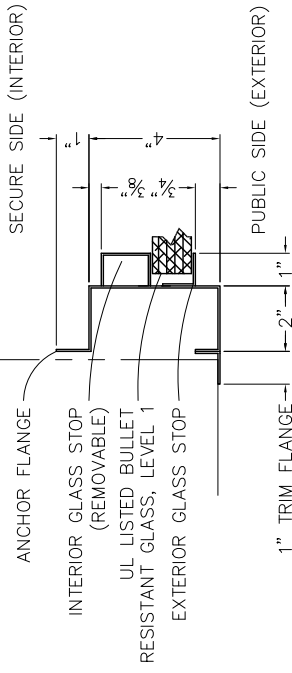
Model	330-5	330-8	330-10	330-15
Overall Frame Size	64-1/2"Wx38-3/4"H	100-1/2"Wx38-3/4"H	125-3/8"Wx38-3/4"H	186-1/4"Wx 38-3/4"H
Weight (Shipping)	300 lbs.	500 lbs.	650 lbs.	950 lbs.
Weight (Frame)	66 lbs.	92 lbs.	120 lbs.	178 lbs.
Number of Lites	1	1	2	3
Weight (Glass)	211 lbs.	343 lbs.	211 lbs.	211 lbs.



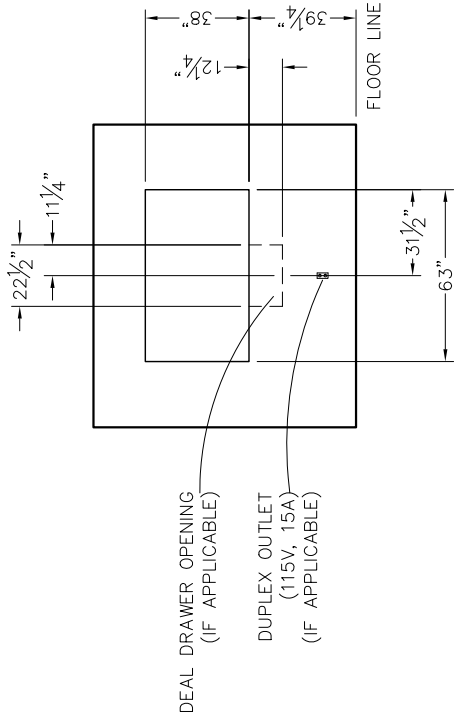
American
Vault.us

PRODUCT APPLICATION DRAWING
PART NAMES
330 SERIES B/R WINDOW

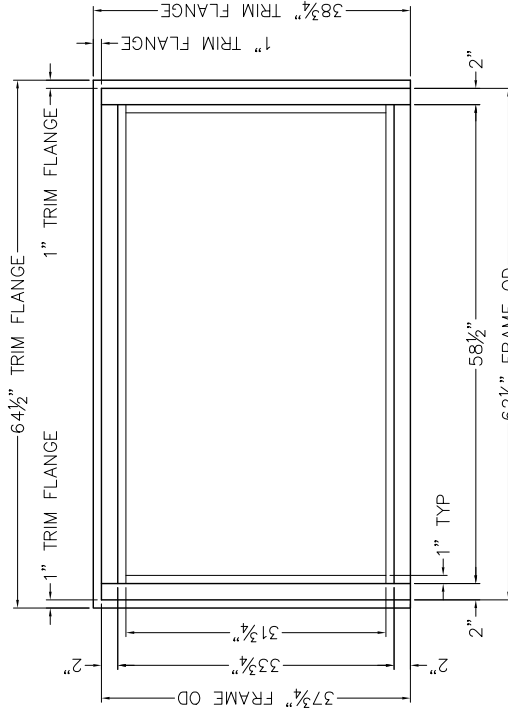
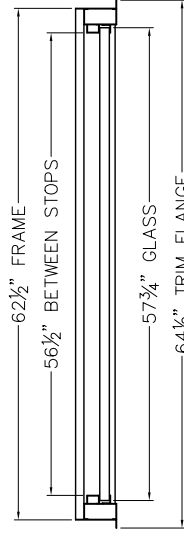
SIZE	DWG NO	DATE	SHEET
A	FIGURE 1-1	01.29.2009	1 OF 1



HORIZONTAL SECTION THRU VERTICAL FRAME



FINISHED OPENING (INTERIOR ELEVATION)



EXTERIOR ELEVATION (FRAME ONLY)

- NOTES:
1. UL LISTED LEVEL 1, CLEAR, 1-³/₁₆" LAMINATED BULLET RESISTANT GLASS.
 2. WELDED, BRUSHED STAINLESS STEEL FRAME WITH EXTERIOR TRIM FLANGE ON TOP & SIDES, ANCHOR FLANGE ON INTERIOR.
 3. REFER TO DRAWING #20174 FOR ADDITIONAL DETAILS.



DO NOT SCALE



PRODUCT APPLICATION DRAWING
VISION WINDOW, LEVEL 1 BULLET RESISTANT
MODEL 330-5

SIZE	DWG NO	DATE	SHEET
B	20039	09.10.2011	1 OF 1

ANCHOR FLANGE

INTERIOR GLASS STOP (REMOVABLE)

UL LISTED BULLET RESISTANT GLASS, LEVEL 1

EXTERIOR GLASS STOP

SECURE SIDE (INTERIOR)

1"

4"

3/8"

1/4"

1/4"

1"

2"

1"

1"

1"

1"

1"

1"

1"

1"

1"

1"

1"

1"

1"

1"

1"

1"

1"

1"

1"

1"

1"

1"

1"

1"

1"

1"

1"

1"

1"

1"

1"

1"

1"

1"

1"

1"

1"

1"

1"

1"

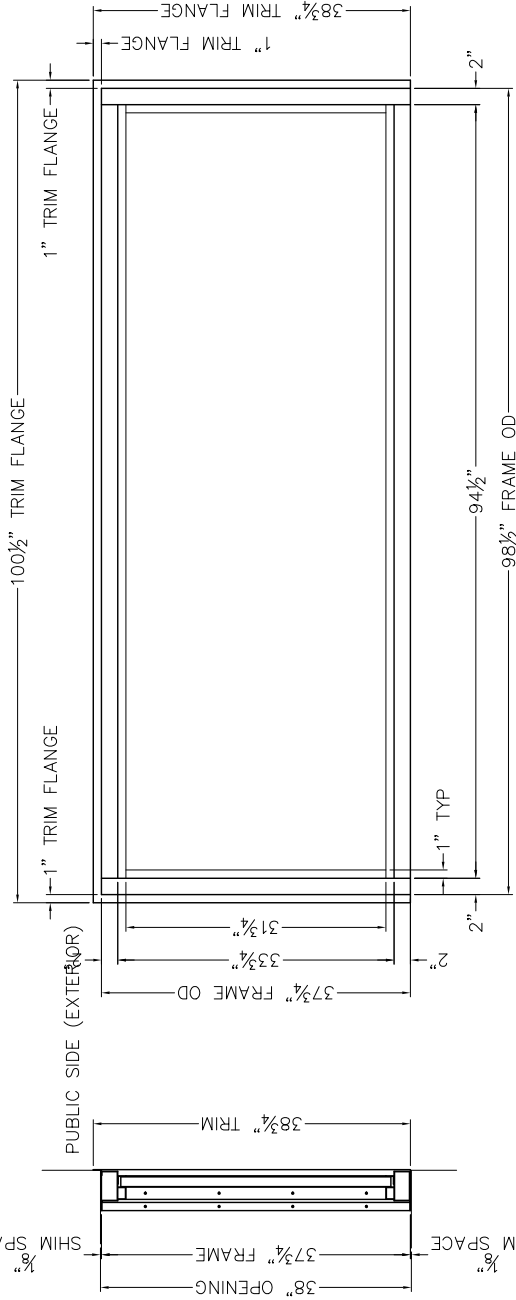
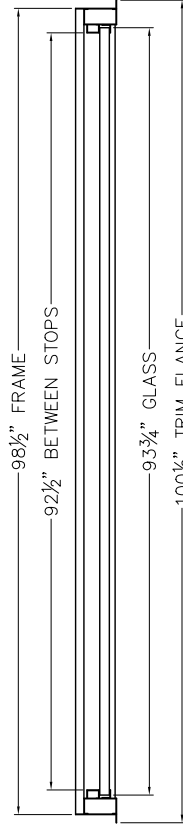
1"

1"

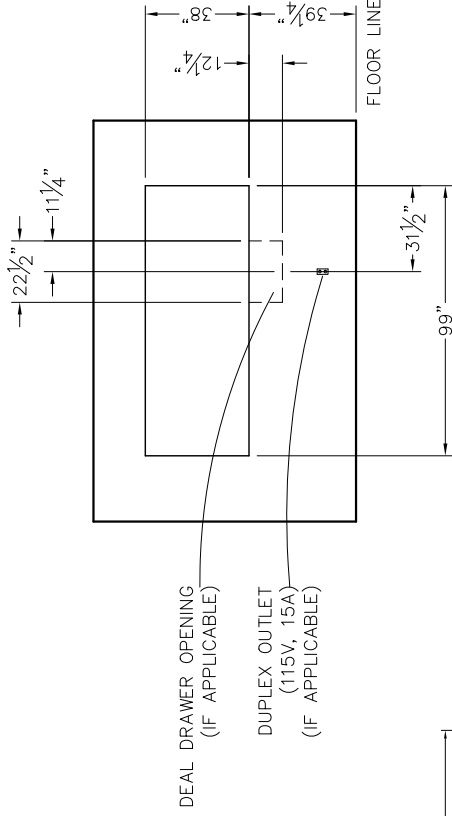
1"

PUBLIC SIDE (EXTERIOR)

HORIZONTAL SECTION THRU VERTICAL FRAME



EXTERIOR ELEVATION (FRAME ONLY)



FINISHED OPENING (INTERIOR ELEVATION)

DEAL DRAWER OPENING (IF APPLICABLE)

DUPLEX OUTLET (115V, 15A) (IF APPLICABLE)

- NOTES:
1. UL LISTED LEVEL 1, CLEAR, 1-3/16" LAMINATED BULLET RESISTANT GLASS.
 2. WELDED, BRUSHED STAINLESS STEEL FRAME WITH EXTERIOR TRIM FLANGE ON TOP & SIDES, ANCHOR FLANGE ON INTERIOR.
 3. REFER TO DRAWING #20174 FOR ADDITIONAL DETAILS.



DO NOT SCALE



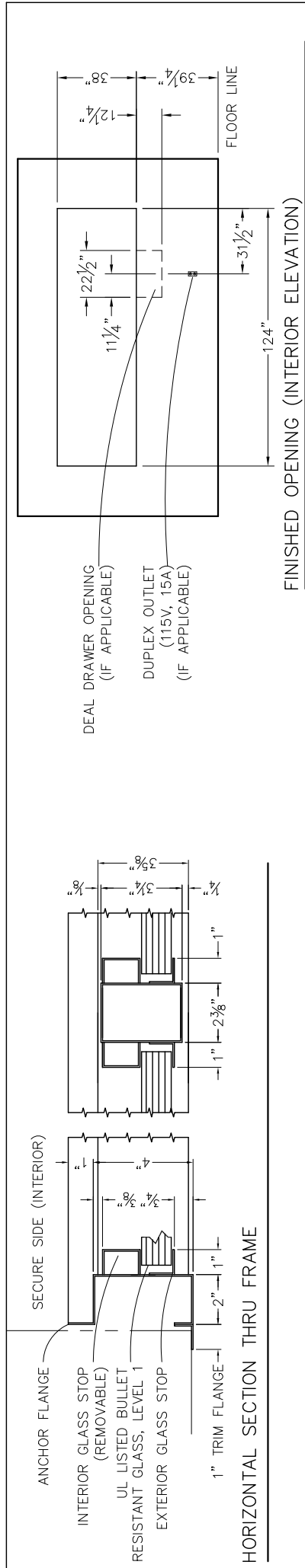
PRODUCT APPLICATION DRAWING
VISION WINDOW, LEVEL 1 BULLET RESISTANT
MODEL 330-8

SIZE **B**

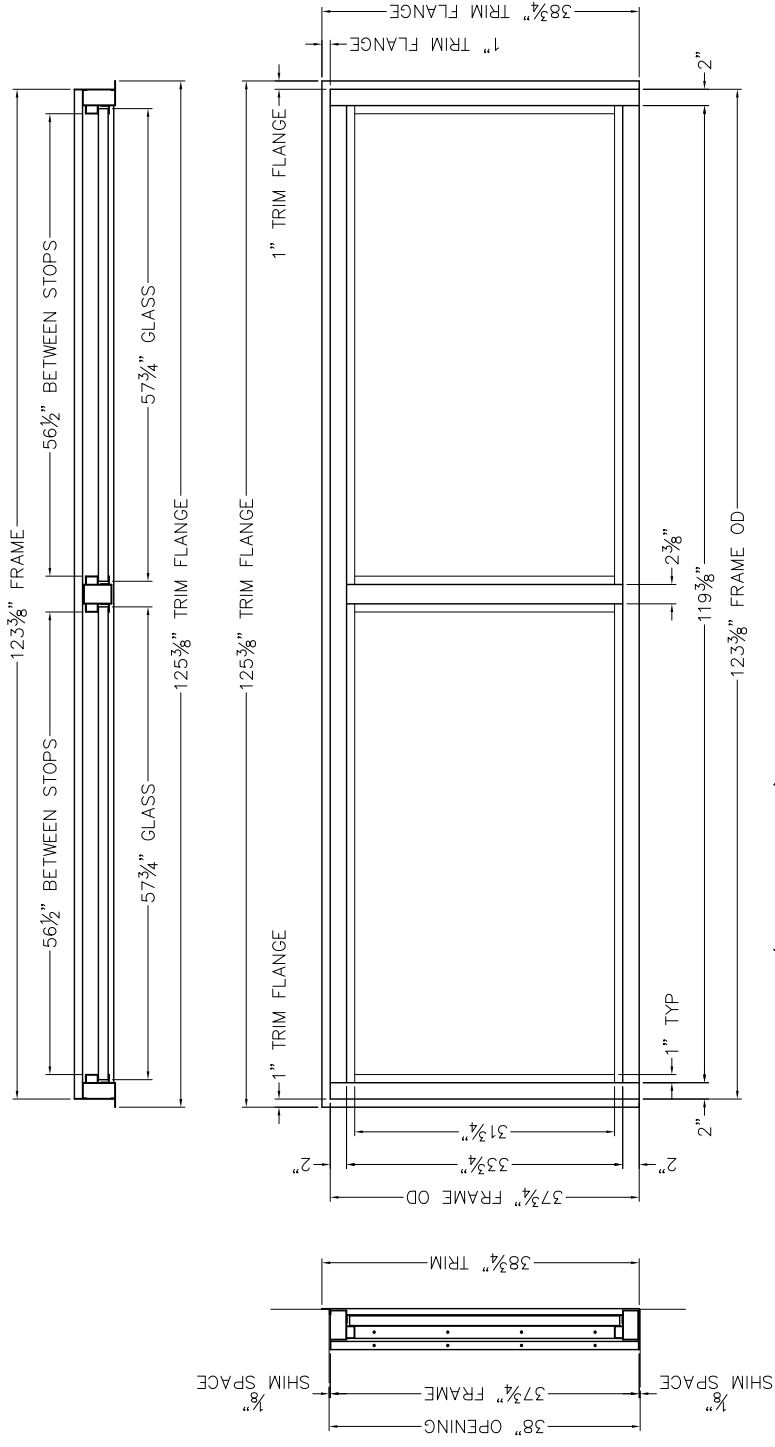
DWG NO 20040

DATE 09.10.2011

SHEET 1 OF 1



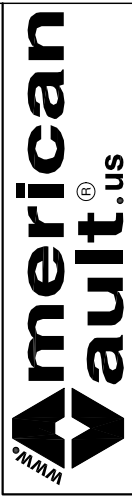
FINISHED OPENING (INTERIOR ELEVATION)



- NOTES:
1. UL LISTED LEVEL 1, CLEAR, 1-3/16" LAMINATED BULLET RESISTANT GLASS.
 2. WELDED, BRUSHED STAINLESS STEEL FRAME WITH EXTERIOR TRIM FLANGE ON TOP & SIDES, ANCHOR FLANGE ON INTERIOR.
 3. REFER TO DRAWING #20174 FOR ADDITIONAL DETAILS.



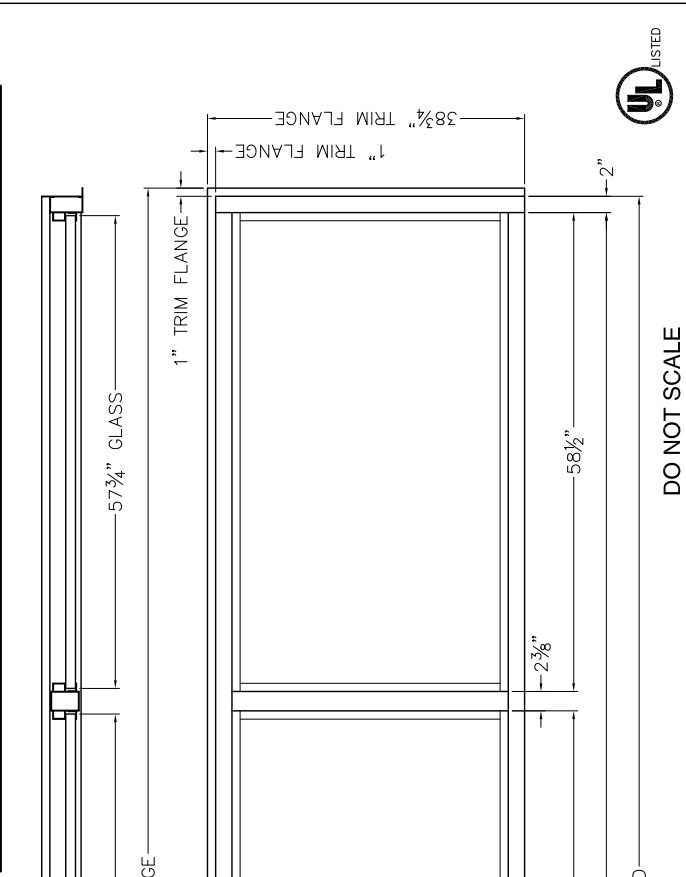
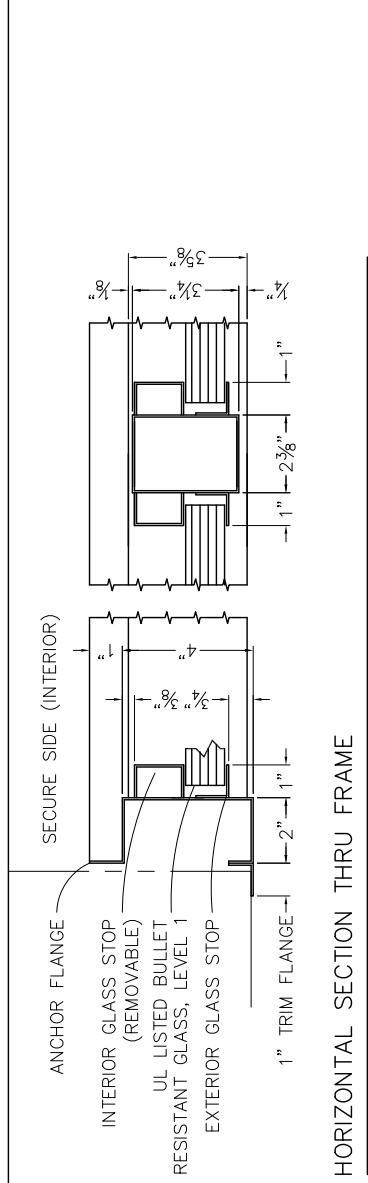
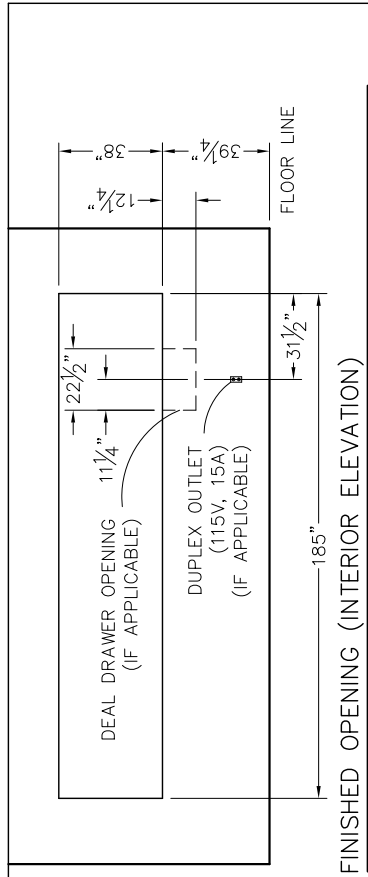
DO NOT SCALE



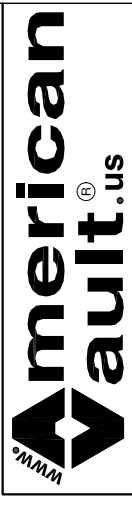
PRODUCT APPLICATION DRAWING
VISION WINDOW, LEVEL 1 BULLET RESISTANT
MODEL 330-10

SIZE	DWG NO	DATE	SHEET
B	20041	09.12.2011	1 OF 1

EXTERIOR ELEVATION (FRAME ONLY)



DO NOT SCALE



PRODUCT APPLICATION DRAWING
VISION WINDOW, LEVEL 1 BULLET RESISTANT
MODEL 330-15

SIZE	DWG NO	DATE	SHEET
B	20042	09.12.2011	1 OF 1

- NOTES:
1. UL LISTED LEVEL 1, CLEAR, 1-3/16" LAMINATED BULLET RESISTANT GLASS.
 2. WELDED, BRUSHED STAINLESS STEEL FRAME WITH EXTERIOR TRIM FLANGE ON TOP & SIDES, ANCHOR FLANGE ON INTERIOR.
 3. REFER TO DRAWING #20174 FOR ADDITIONAL DETAILS.



2 INSTALLATION

2.1 Safety and Pre-Installation Procedures

- 2.1.1 Only professionals experienced and qualified in the installation should install this product. Misuse, lack of supervision and inspection can contribute to serious accidents or death.
- 2.1.2 Keep the work area clear of all trash and clutter.
- 2.1.3 Because of the extreme and concentrated weight of components; installations can be dangerous. Special methods for installation have been devised. Be sure the appropriate procedures are followed.
- 2.1.4 Know location of the nearest medical facility and "911" availability.
- 2.1.5 Verify the condition of safety equipment and tools.
- 2.1.6 When arriving at job-site introduce yourself to the General Contractor and/or job superintendent, explain:
 - The equipment you will be installing.
 - What your schedule will be.
 - What will be required of the contractor and/or electrician?
- 2.1.7 Check best route into building. Inform G.C. of weights involved. Inform G.C. of existing floor cracks or damage. If a basement or floor exists below the route of travel and/or under the installation area, the G.C. and all trades must be notified.
- 2.1.8 Caution other persons in the building to avoid the installation area. It is recommended to "cordon-off" the area.
- 2.1.9 It is the responsibility of the installer to anticipate and correct all hazardous conditions, including careless or thoughtless act of assistants or technicians who misguidedly try to "help".

2.2 Apparel

- 2.2.1 Personal safety equipment required (but not limited to):
 - Hard Hat, Safety Glasses, Safety Shoes, Gloves, First aid kit
- 2.2.2 Wear a hard hat whenever working at an installation or construction site.
- 2.2.3 Wear high top safety shoes with non-slip soles. Tools, bars, cribbing, rollers, etc. are frequently dropped and can cause injury.
- 2.2.4 Safety glasses are a must.
- 2.2.5 Leather faced gloves should be worn when handling glass or unfinished metals.

2.3 Tools & Supplies

The installation of B/R windows requires the use of specialized lifting devices and tools. A good resource for the proper tools is the CR Laurence Company. Just some of the items required are listed:

- 1. Vacuum Cups (minimum 4) such as the Woods "Powr-Grip". These come in various sizes & ratings.
- 2. Phillips Screwdriver #2
- 3. Plastic Glass Guides (Minimum 4) (approximately 3"x6"x3/16" thick). These are used as a guide when installing the glass into the frame.
- 4. Box Cutter
- 5. Isopropyl Alcohol 90%
- 6. Sheet Rags
- 7. Shim Assortment

2 INSTALLATION (continued)

2.4 Unpacking and Inspection

It is the responsibility of the receiving party to inspect the crate for visible damage. Damage should be noted on the freight forwarders BOL and a claim filed by the receiving party.

Open shipping carton and remove the contents.

2.4.1 Model 330-5 Window carton contains the following items:

1 ea.	330-1500	Vision Window Assembly, 330-5
11 ea.	330-2013	Mounting Strap
11 ea.	8022-1012	PPHMS 10-32x3/8
11 ea.	8031-4432	HWHS #10x1
1 ea.		Installation Manual

2.4.2 Model 330-8 Window carton contains the following items:

1 ea.	330-1800	Vision Window Assembly, 330-8
12 ea.	330-2013	Mounting Strap
12 ea.	8022-1012	PPHMS 10-32x3/8
12 ea.	8031-4432	HWHS #10x1
1 ea.		Installation Manual

2.4.3 Model 330-10 Window carton contains the following items:

1 ea.	330-3000	Vision Window Assembly, 330-10
14 ea.	330-2013	Mounting Strap
14 ea.	8022-1012	PPHMS 10-32x3/8
14 ea.	8031-4432	HWHS #10x1
1 roll	2305-0001	Tape, 1/16x3/4 Glazing
12 ea.	2305-0002	Setting Block, 1/4x1x4
2 ea.	9025-0001	Glass, 33"x57-3/4"x1-3/16" Laminated B/R (shipped in a separate crate)
1 ea.		Installation Manual

2.4.4 Model 330-15 Window carton contains the following items:

1 ea.	330-3500	Vision Window Assembly, 330-15
25 ea.	330-2013	Mounting Strap
25 ea.	8022-1012	PPHMS 10-32x3/8
25 ea.	8031-4432	HWHS #10x1
2 rolls	2305-0001	Tape, 1/16x3/4 Glazing
18 ea.	2305-0002	Setting Block, 1/4x1x4
3 ea.	9025-0001	Glass, 33"x57-3/4"x1-3/16" Laminated B/R (shipped in a separate crate)
1 ea.		Installation Manual

2.5 Site Requirements

The B/R Vision Window can be installed in any environment where a B/R Window is required. It is most often installed for use in drive through applications, such as a financial institution. It is recommended that it be installed under a canopy. It should be installed after the exterior finish but prior to the interior finish.

Refer to Figure 2-1 for Installed View, Exterior

Refer to Figure 2-2 for Installed View, Interior

2 INSTALLATION (continued)

2.6 Installation Procedures (Refer to Figures 2-1 & 2-2)

These procedures assume the Frame Assembly and Glass were shipped separate and were not factory glazed.

These procedures assume it is new construction with the exterior finish applied.

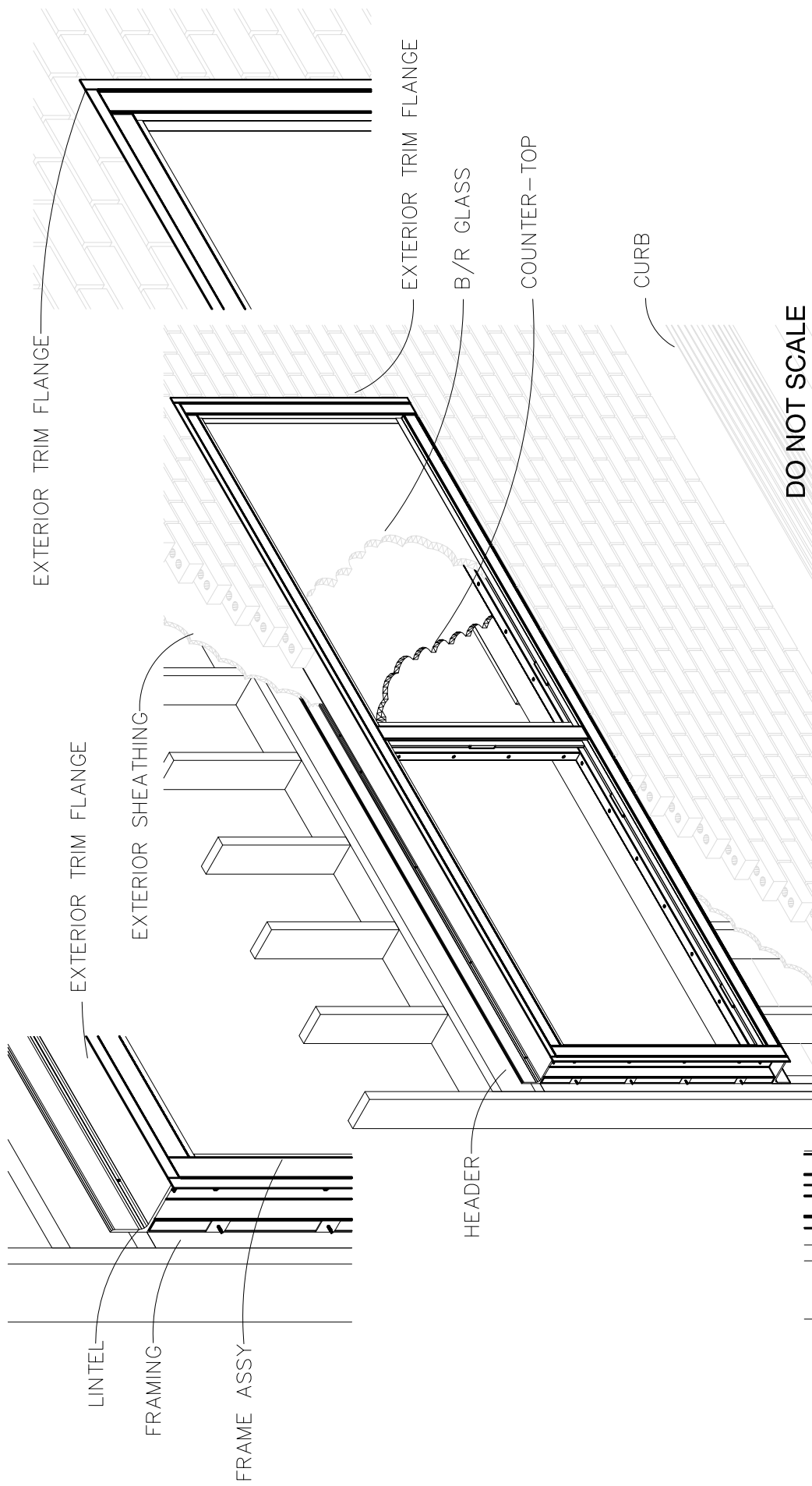
These procedures assume the interior finish and counter, has not been installed.

2.6.1 Frame Installation (Frame is installed from building exterior)

1. Check opening for correct size.
2. Check for flatness of exterior surface. Example: Brick or Stucco as opposed to rock.
3. Check lower sill plate and lintel for flatness. If it is not flat, it will be necessary to shim the frame.
4. Remove Frame Assembly from crate.
5. Apply a sealant to the exterior edges of the opening on (2) sides and top.
6. Apply a sealant to the top surface of the bottom of the opening.
7. From building exterior, position the frame bottom in the opening and tilt frame into opening.
8. With a person holding the frame into position from the exterior, temporarily install anchors in the mounting flange from the building interior. Depending on construction it might be necessary to install mounting straps supplied. These are used when the mounting holes fall into an area in the wall where there is nothing to fasten to, such as air space in a brick wall.
9. Check lower horizontal frame member for contact with the opening sill plate. Shim between frame member and sill plate. Shim spacing should be no greater than 24" apart.
10. Make sure sealant applied behind exterior trim flange and under bottom horizontal frame member is ample and continue with fastener installation.

2.6.2 Glass Installation (Glass is installed from building interior)

1. Remove all interior glass stops and hardware.
2. Clean inside surface of exterior glass stops using isopropyl alcohol and clean rag.
3. Apply glazing tape supplied to all interior surfaces of exterior glass stops. Tape joints should be applied as a butt joint. Do not overlap tape joints.
4. Position setting blocks supplied in bottom frame member. These should be spaced a maximum of 30" apart.
5. Position and secure glass guides in frame opening. There should be (2) at the bottom and (1) on each side. These will help protect the glass edges during installation.
6. Remove (1) lite of glass from crate. Clean front and back glass surface using isopropyl alcohol.
7. With glass lying flat, position the front edge of glass on the settings blocks allowing space to tilt the glass into position. Do not allow glass to contact glazing tape. Make sure glass is centered in the frame opening. There should be approximately 3/8" clearance on each side.
8. Tilt glass into frame opening slowly. Making sure that glass is centered in the frame opening.
9. Apply light pressure to glass so it bonds to glazing tape.
10. Clean one side of interior glass stops using isopropyl alcohol. Apply glazing tape.
11. Position interior horizontal glass stops in frame and secure using hardware previously removed.
12. Position interior vertical glass stops in frame and secure using hardware previously removed.
13. Repeat steps 1 through 12 for the next lite of glass if applicable.



DO NOT SCALE

www.AmericanVault.us
American
Vault®.us

PRODUCT APPLICATION DRAWING
 INSTALLED VIEW, EXTERIOR ELEVATION
 330 SERIES B/R WINDOW

SIZE

DWG NO

DATE

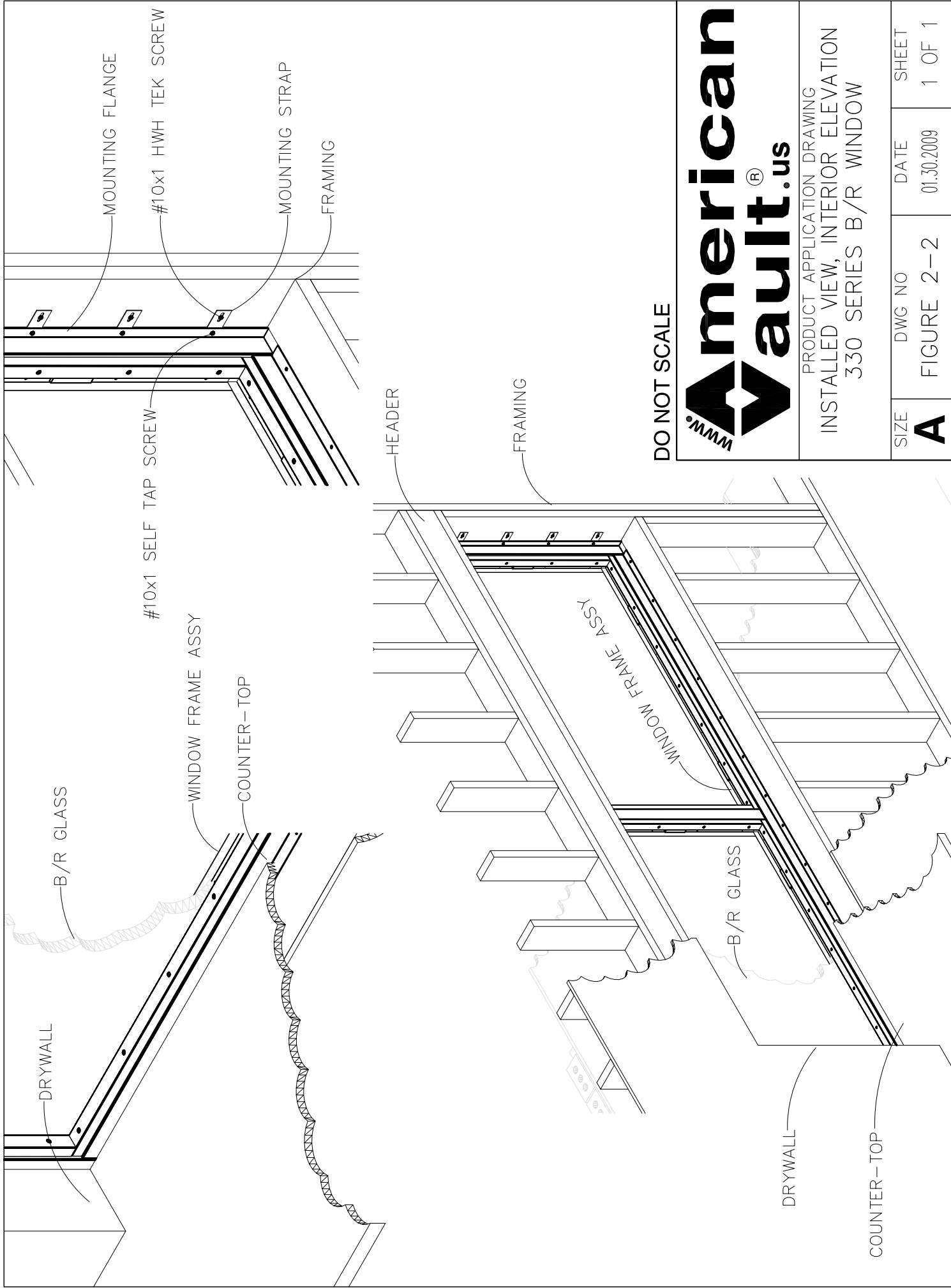
SHEET

A

FIGURE 2-1

01.30.2009

1 OF 1

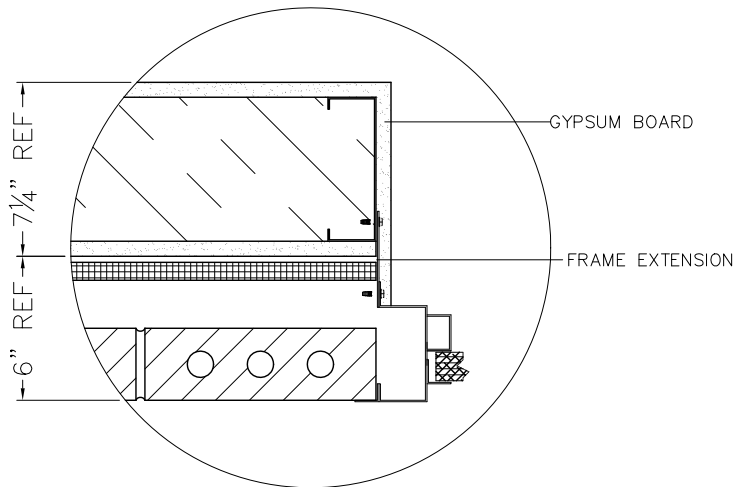


DO NOT SCALE

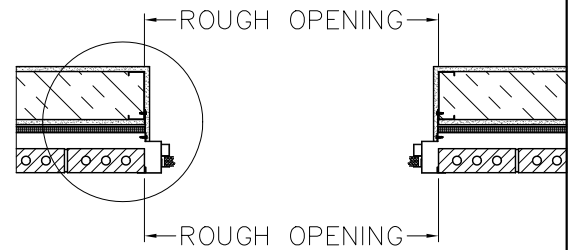
American
Vault[®].us

PRODUCT APPLICATION DRAWING
 INSTALLED VIEW, INTERIOR ELEVATION
 330 SERIES B/R WINDOW

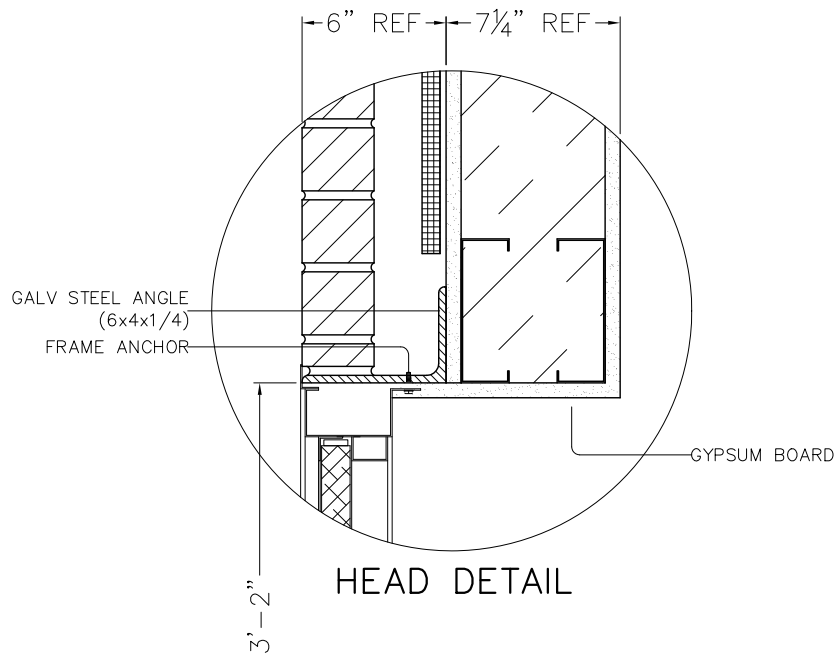
SIZE	DWG NO	DATE	SHEET
A	FIGURE 2-2	01.30.2009	1 OF 1



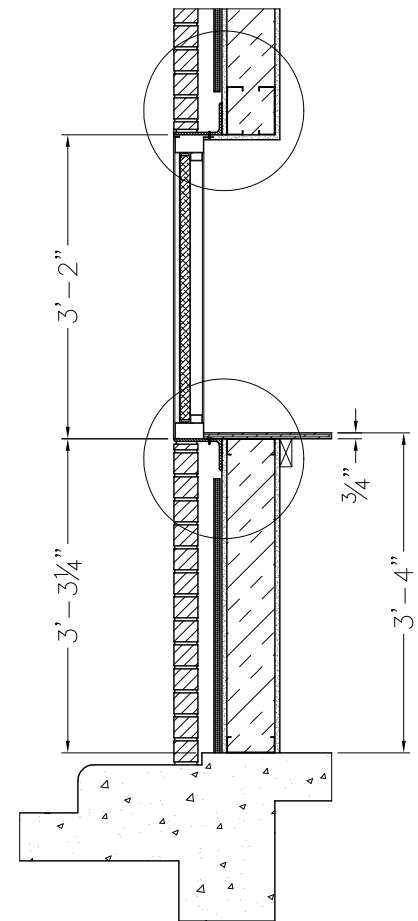
JAMB DETAIL



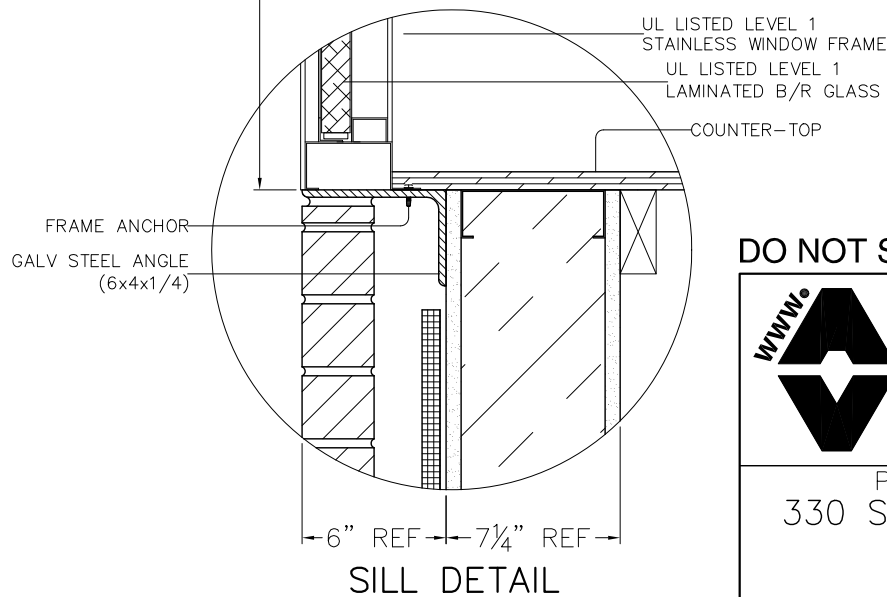
HORIZONTAL SECTION



HEAD DETAIL



VERTICAL SECTION



SILL DETAIL

DO NOT SCALE

American
Vault®.us

PRODUCT APPLICATION DRAWING
330 SERIES VISION WINDOW DETAILS

SIZE	DWG NO	DATE	SHEET
AA	20174	07.07.2011	1 OF 1

3 MAINTENANCE

3.1 Preventative Maintenance

1. Do not expose window assembly to harsh chemicals typically used in the construction industry (such as "acid" for washing brick). These chemicals will permanently damage the appearance of the unit.
2. Unit should be well protected from the elements (such as rain) by a canopy or other appropriate structure.
3. Unit should be placed in a well lighted area to protect it from vandalism.
4. Unit should be monitored by a surveillance camera for protection from vandalism.

3.2 Periodic Maintenance

1. Cleaning the window system on a regular basis is the most important action the user can perform.
2. Clean the Glass using a soft cloth and "Windex" or other comparable product.
3. Clean the stainless steel frame components using a soft cloth and a high quality product such as ZEP Stainless Steel Cleaner.