

PLAN

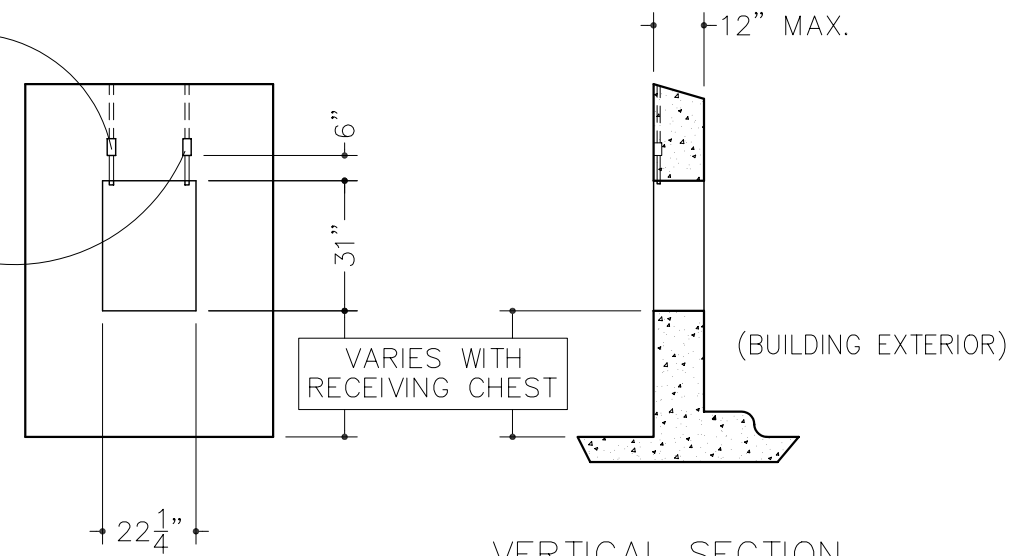
SHOWN WITH OUTER HOUSING (P/N 2034)

OPTIONAL CAMERA MOUNT KIT
REF AVC DWG #20150
(SET-UP TO RECEIVE SANYO
CUBE CAMERA AND LENS)

2 x 4 JUNCTION BOX WITH
3/4" CONDUIT & COVER
PLATE FOR 120 v, 15 amp
SERVICE TO DEPOSITORY SIGN

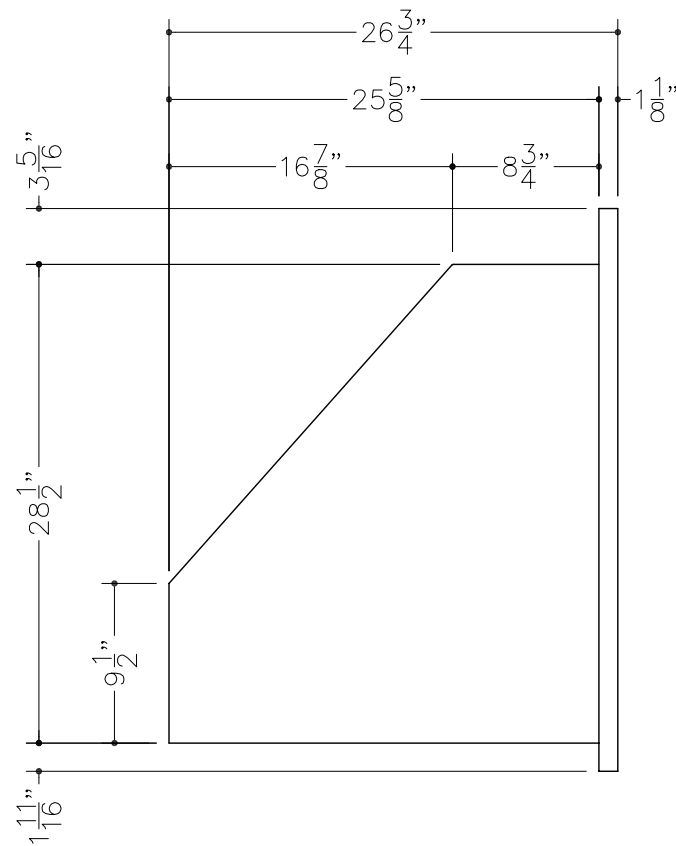
2 x 4 JUNCTION BOX WITH
3/4" CONDUIT & COVER
PLATE FOR ALARM

FINISHED FLOOR LINE



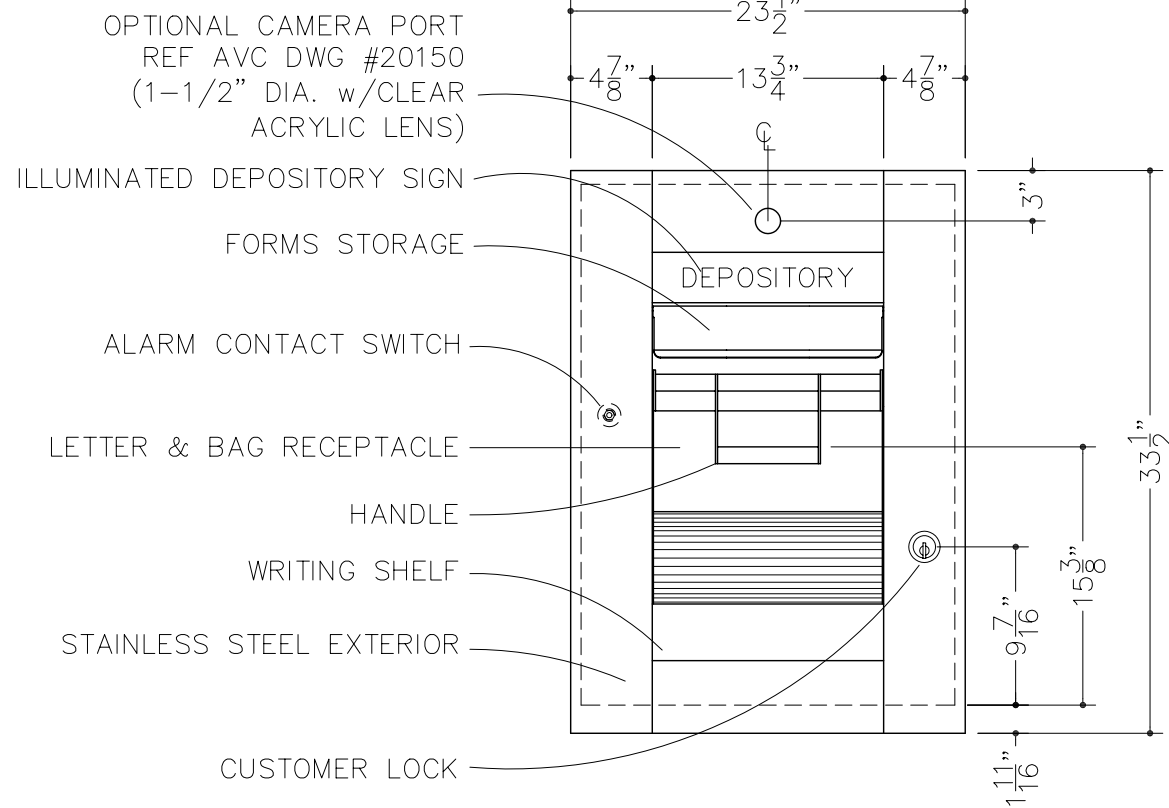
FINISHED OPENING
(INTERIOR ELEVATION)

VERTICAL SECTION



SIDE ELEVATION

SHOWN WITH OUTER HOUSING (P/N 2034)



EXTERIOR ELEVATION

OPTIONAL CAMERA PORT
REF AVC DWG #20150
(1-1/2" DIA. w/CLEAR
ACRYLIC LENS)

ILLUMINATED DEPOSITORY SIGN

FORMS STORAGE

DEPOSITORY

ALARM CONTACT SWITCH

LETTER & BAG RECEPTACLE

HANDLE

WRITING SHELF

STAINLESS STEEL EXTERIOR

CUSTOMER LOCK

NOTES:

1. OUTER HOUSING IS TO BE WELDED TO RECEIVING CHEST AND REQUIRES ENCASEMENT IN 6" OF CONCRETE.

DO NOT SCALE



American Vault.us

PRODUCT APPLICATION DRAWING
2000 SERIES DEPOSITORY
W/OUTER HOUSING MOD 85-2034

SIZE	DWG NO	DATE	SHEET
B	20005	01.01.2012	1 OF 1