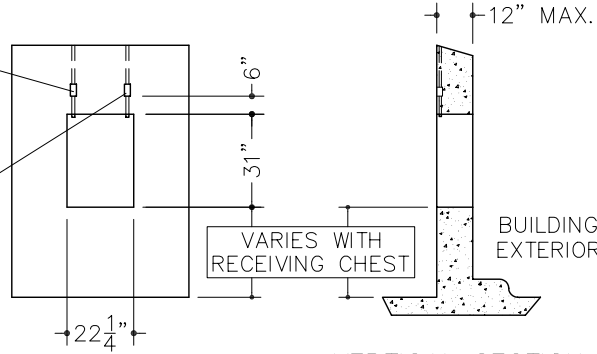


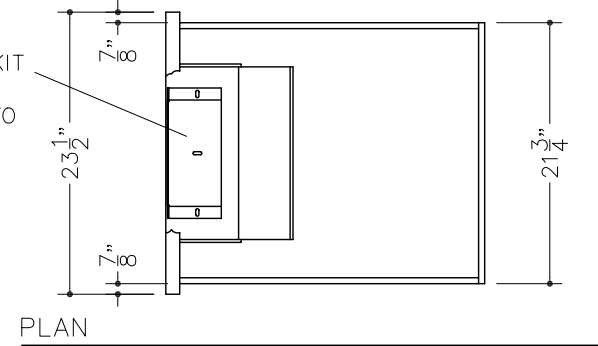
2 X 4 JUNCTION BOX WITH
3/4" CONDUIT & COVER
FOR 120V 15A SERVICE
TO DEPOSITORY SIGN

2 X 4 JUNCTION BOX WITH
3/4" CONDUIT & COVER
FOR ALARM CONNECTION

FINISHED FLOOR LINE



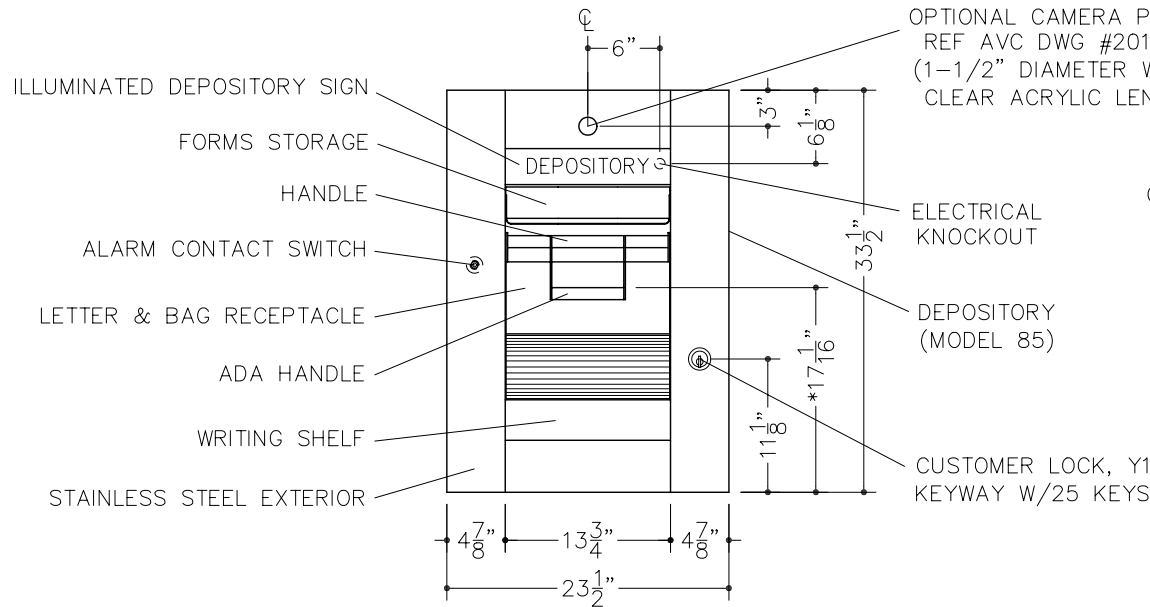
OPTIONAL CAMERA MOUNT KIT
REF AVC DWG #20150
(SET-UP TO RECEIVE SANYO
CUBE CAMERA AND LENS)



PLAN

FINISHED OPENING
INTERIOR ELEVATION

VERTICAL SECTION



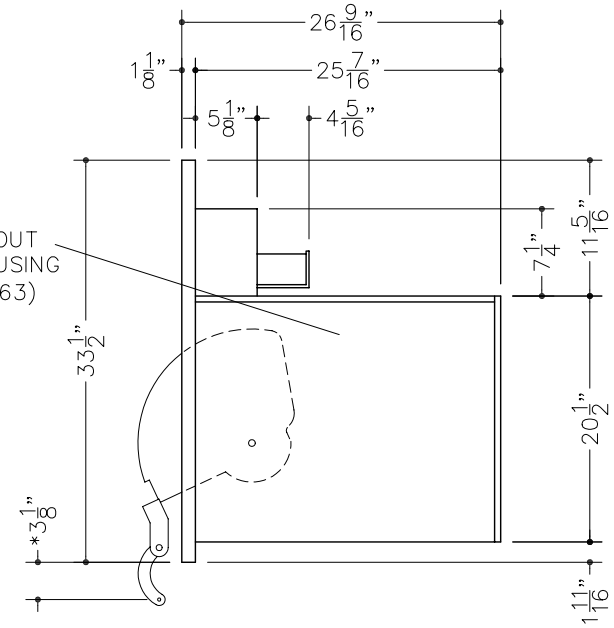
OPTIONAL CAMERA PORT
REF AVC DWG #20150
(1-1/2" DIAMETER WITH
CLEAR ACRYLIC LENS)

ELECTRICAL
KNOCKOUT

DEPOSITORY
(MODEL 85)

CUSTOMER LOCK, Y1
KEYWAY W/25 KEYS

NON-GROUT
OUTER HOUSING
(P/N 2063)



SIDE ELEVATION (*ADA HANDLE OPEN POSITION)

EXTERIOR ELEVATION (*ADA HANDLE CLOSED POSITION)

NOTES:

1. OUTER HOUSING (P/N 2063, SHOWN) IS FOR NON-GROUT INSTALLATION.
2. WELD HOUSING TO RECEIVING CHEST (NOT SHOWN) BEFORE INSTALLATION.
3. HOUSING SHOULD NOT BE ENCASED IN CONCRETE.

APPROXIMATE WEIGHTS:
DEPOSITORY: 280 LBS.
HOUSING: 325 LBS.



American Vault[®].us

PRODUCT APPLICATION DRAWING
2000 SERIES DEPOSITORY
WITH NON-GROUT OUTER HOUSING
MODEL 85-2063

SIZE	DWG NO	DATE	SHEET
A	20006	03.04.2013	1 OF 1