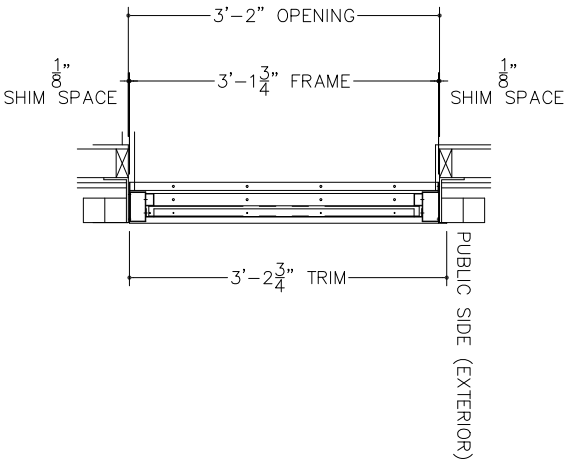
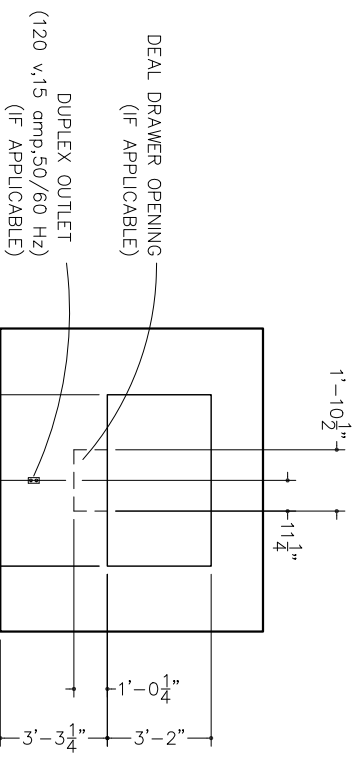
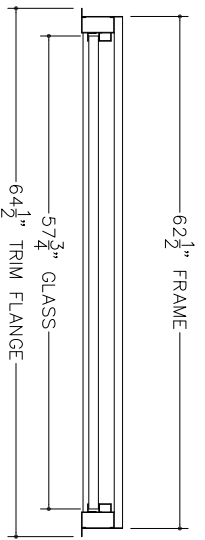
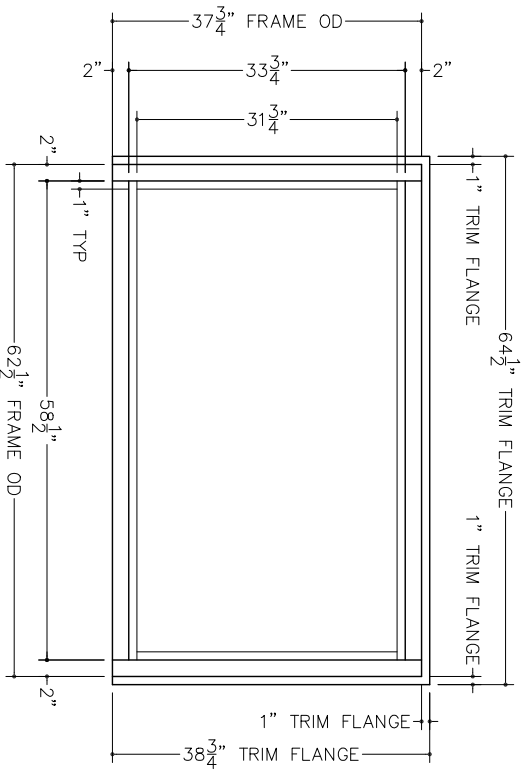


HORIZONTAL SECTION THRU VERTICAL FRAME



EXTERIOR ELEVATION (FRAME ONLY)



FINISHED OPENING (INTERIOR ELEVATION)

- NOTES:
1. CLEAR BULLET RESISTING GLASS, LAMINATED 1 3/16", U.L. LISTED LEVEL 1.
 2. WELDED STAINLESS STEEL FRAME WITH BRUSHED FINISH.
 3. DESIGNED AS BOLT-IN STYLE UNIT.



American
Waco, Texas

DESCRIPTION PRODUCT APPLICATION DRAWING			
330 SERIES VISION WINDOW, 3' x 5'			
MODEL 330-5			
SIZE	DWG. NO.	DATE	SCALE
B	20039	12.07.01	NONE
			SHEET 1 of 1