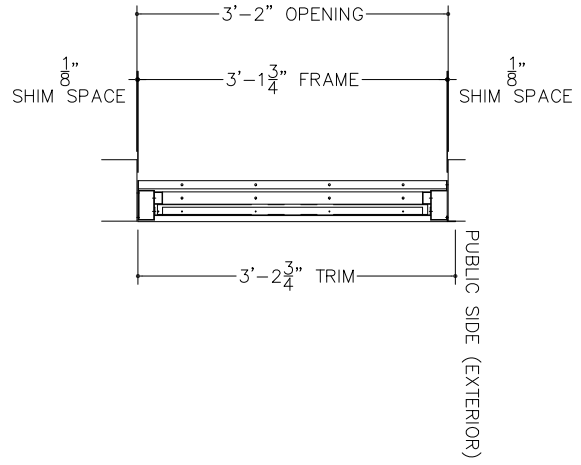
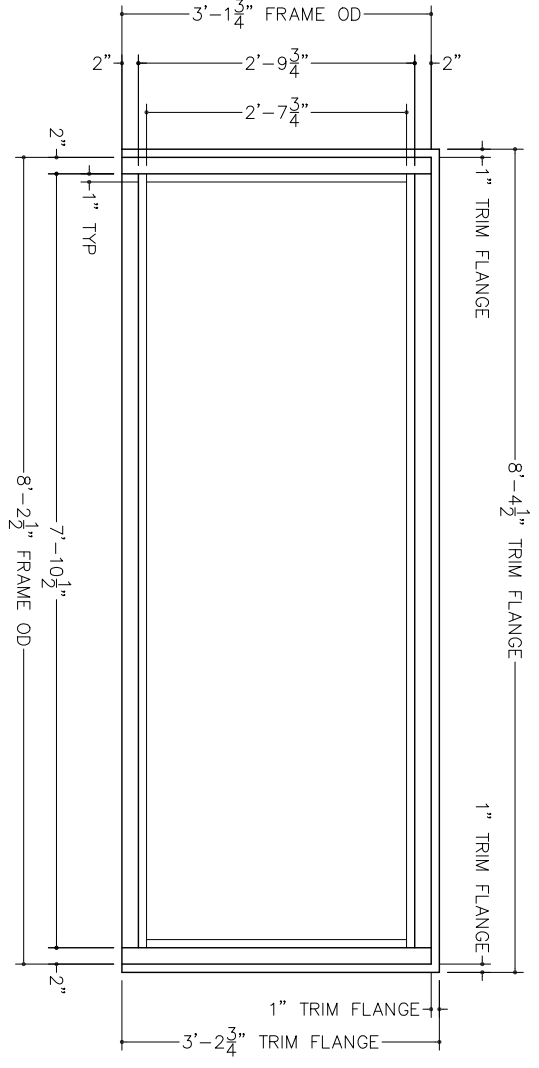


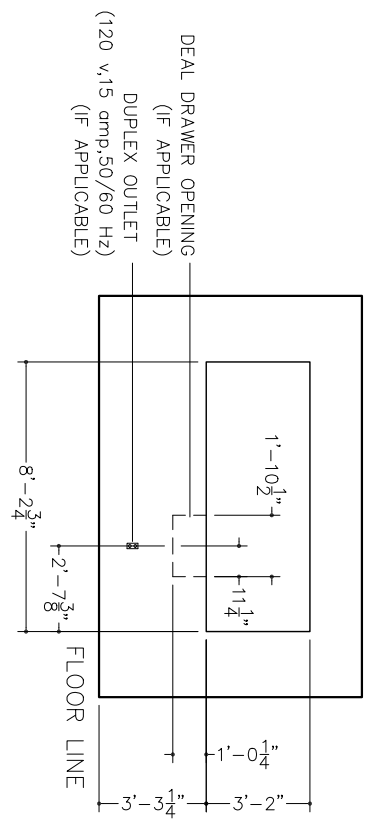
HORIZONTAL SECTION THRU VERTICAL FRAME



EXTERIOR ELEVATION (FRAME ONLY)



FINISHED OPENING (INTERIOR ELEVATION)



- NOTES:
1. CLEAR BULLET RESISTING GLASS, LAMINATED 1 3/16", U.L. LISTED LEVEL 1.
  2. WELDED STAINLESS STEEL FRAME WITH BRUSHED FINISH.
  3. DESIGNED AS BOLT-IN STYLE UNIT.

DESCRIPTION PRODUCT APPLICATION DRAWING

330 SERIES VISION WINDOW, 3' x 8'

MODEL 330-8

SIZE	DWG. NO.	DATE	SCALE
<b>B</b>	20040	12.07.01	NONE
			SHEET 1 of 1