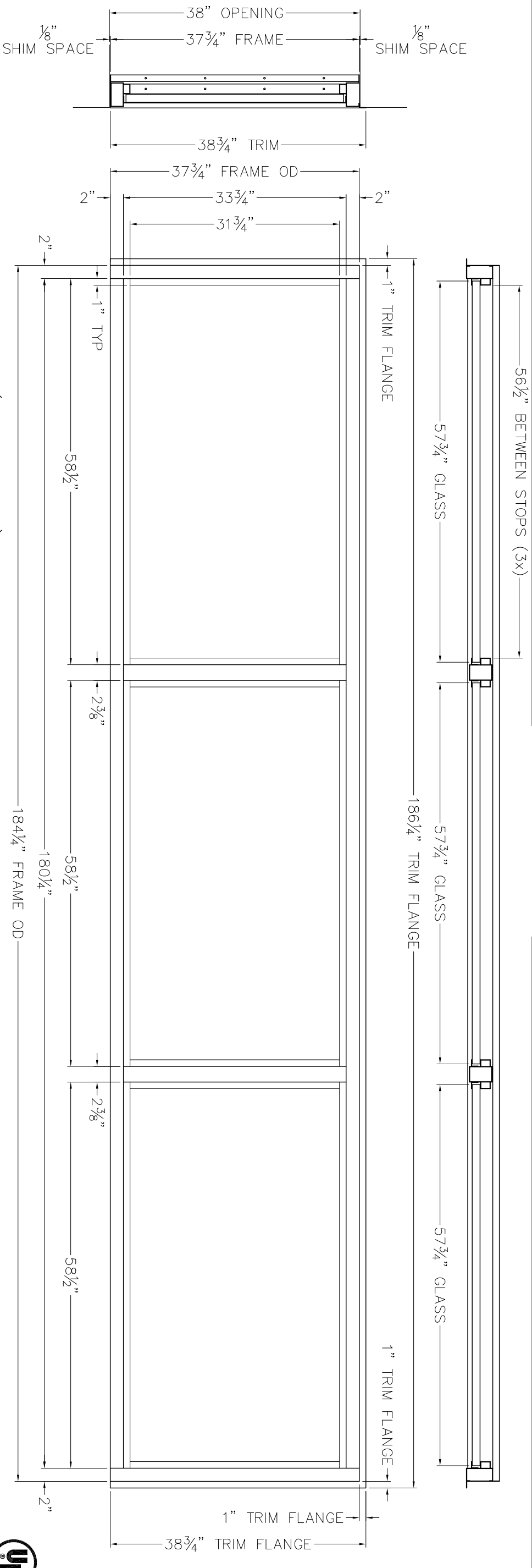
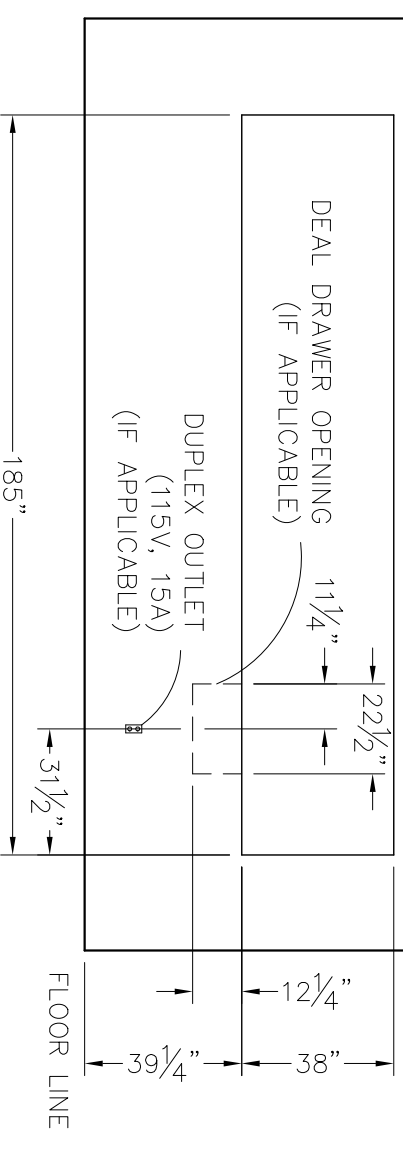


HORIZONTAL SECTION THRU FRAME

FINISHED OPENING (INTERIOR ELEVATION)



EXTERIOR ELEVATION (FRAME ONLY)

DO NOT SCALE



American
Vault.us

PRODUCT APPLICATION DRAWING
VISION WINDOW, LEVEL 1 BULLET RESISTANT
MODEL 330-15

- NOTES:
1. UL LISTED LEVEL 1, CLEAR, 1-3/16" LAMINATED BULLET RESISTANT GLASS.
 2. WELDED, BRUSHED STAINLESS STEEL FRAME WITH EXTERIOR TRIM FLANGE ON TOP & SIDES, ANCHOR FLANGE ON INTERIOR.
 3. REFER TO DRAWING #20174 FOR ADDITIONAL DETAILS.

SIZE	DWG NO	DATE	SHEET
B	20042	09.12.2011	1 OF 1