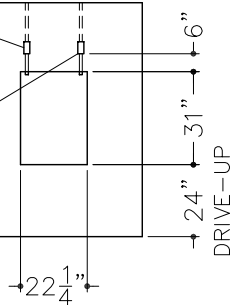


2 X 4 JUNCTION BOX WITH
3/4" CONDUIT & COVER
FOR 120V 15A SERVICE
TO DEPOSITORY SIGN

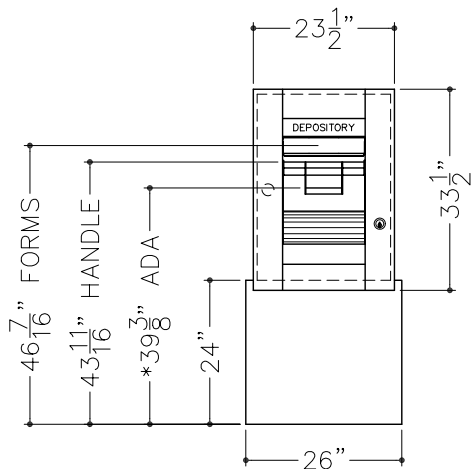
2 X 4 JUNCTION BOX WITH
3/4" CONDUIT & COVER
FOR ALARM CONNECTION

FINISHED FLOOR LINE



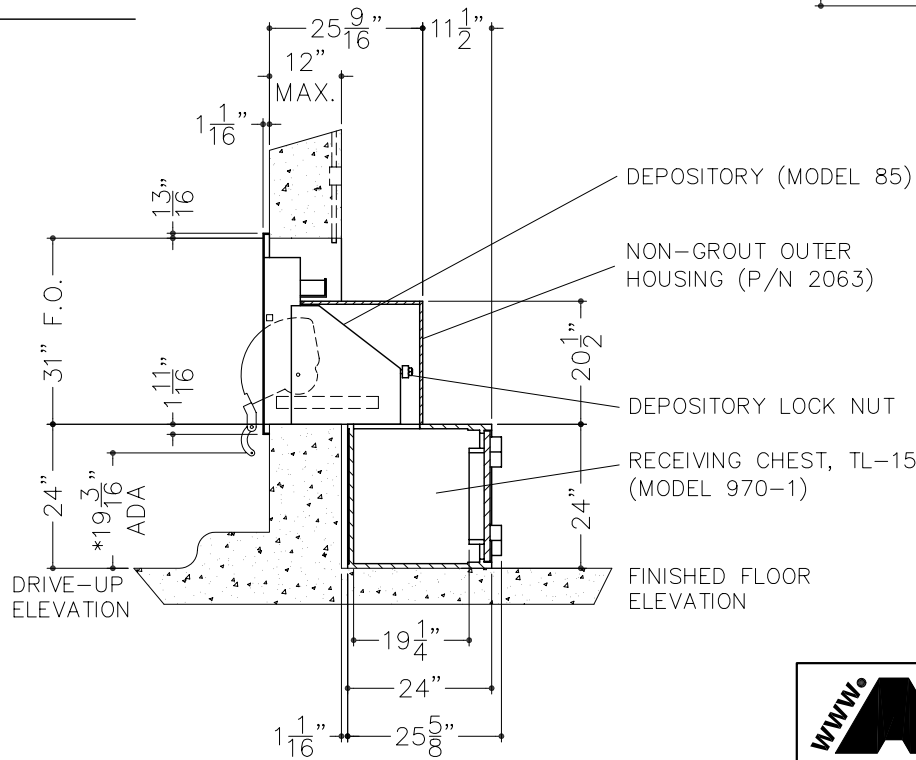
CAUTION!
ONLY PROFESSIONALS EXPERIENCED AND
QUALIFIED IN THE INSTALLATION OF SAFES
SHOULD INSTALL THIS PRODUCT.

FINISHED OPENING
INTERIOR ELEVATION



EXTERIOR ELEVATION

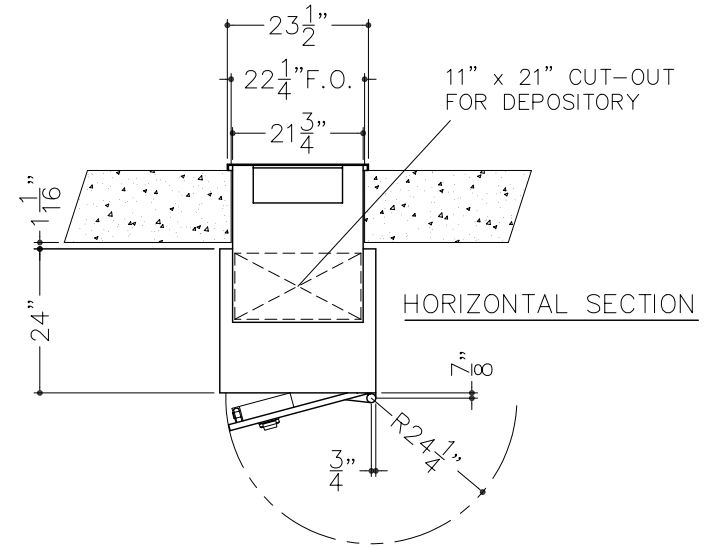
*ADA HANDLE CLOSED POSITION



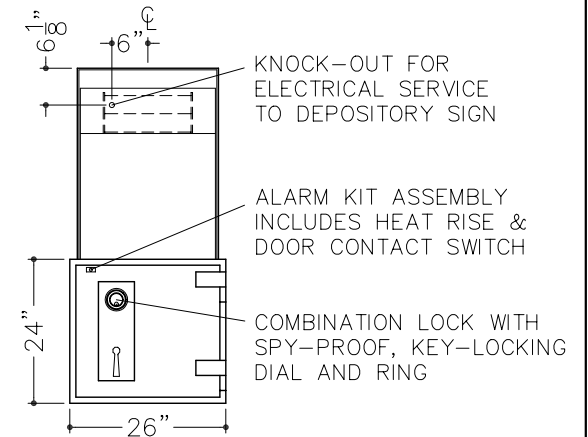
VERTICAL SECTION

*ADA HANDLE OPEN POSITION

APPROXIMATE WEIGHTS:
RECEIVING CHEST: 575 LBS.
DEPOSITORY: 280 LBS.
HOUSING: 325 LBS.



HORIZONTAL SECTION



INTERIOR ELEVATION

NOTES:

1. RIGHT SWING SHOWN, LEFT SWING OPPOSITE.
2. NON-GROUT OUTER HOUSING (P/N 2063) IS TO BE WELDED TO RECEIVING CHEST AND SHOULD NOT BE ENCASED IN CONCRETE.
3. INTERIOR WALL OPENING AROUND OUTER HOUSING IS TO BE FILLED USING APPROPRIATE MATERIALS, BY OTHERS.
4. FINISH: BEIGE

American Vault[®].us

PRODUCT APPLICATION DRAWING
MODEL 970-1 TL-15 RECEIVING CHEST
WITH DEPOSITORY AND NON-GROUT
OUTER HOUSING (MOD 85-2063)



SIZE	DWG NO	DATE	SHEET
A	20043	03.04.2013	1 OF 1