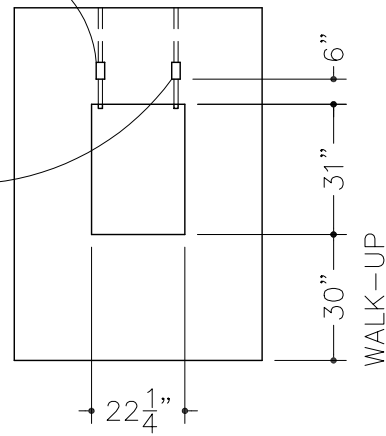


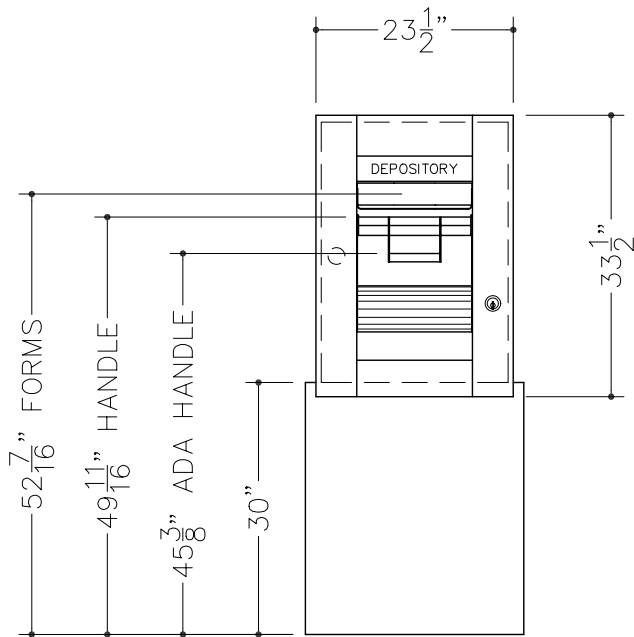
2 x 4 JUNCTION BOX WITH
3/4" CONDUIT & COVER
PLATE FOR 120 v, 15 amp
SERVICE TO DEPOSITORY SIGN

2 x 4 JUNCTION BOX WITH
3/4" CONDUIT & COVER
PLATE FOR ALARM

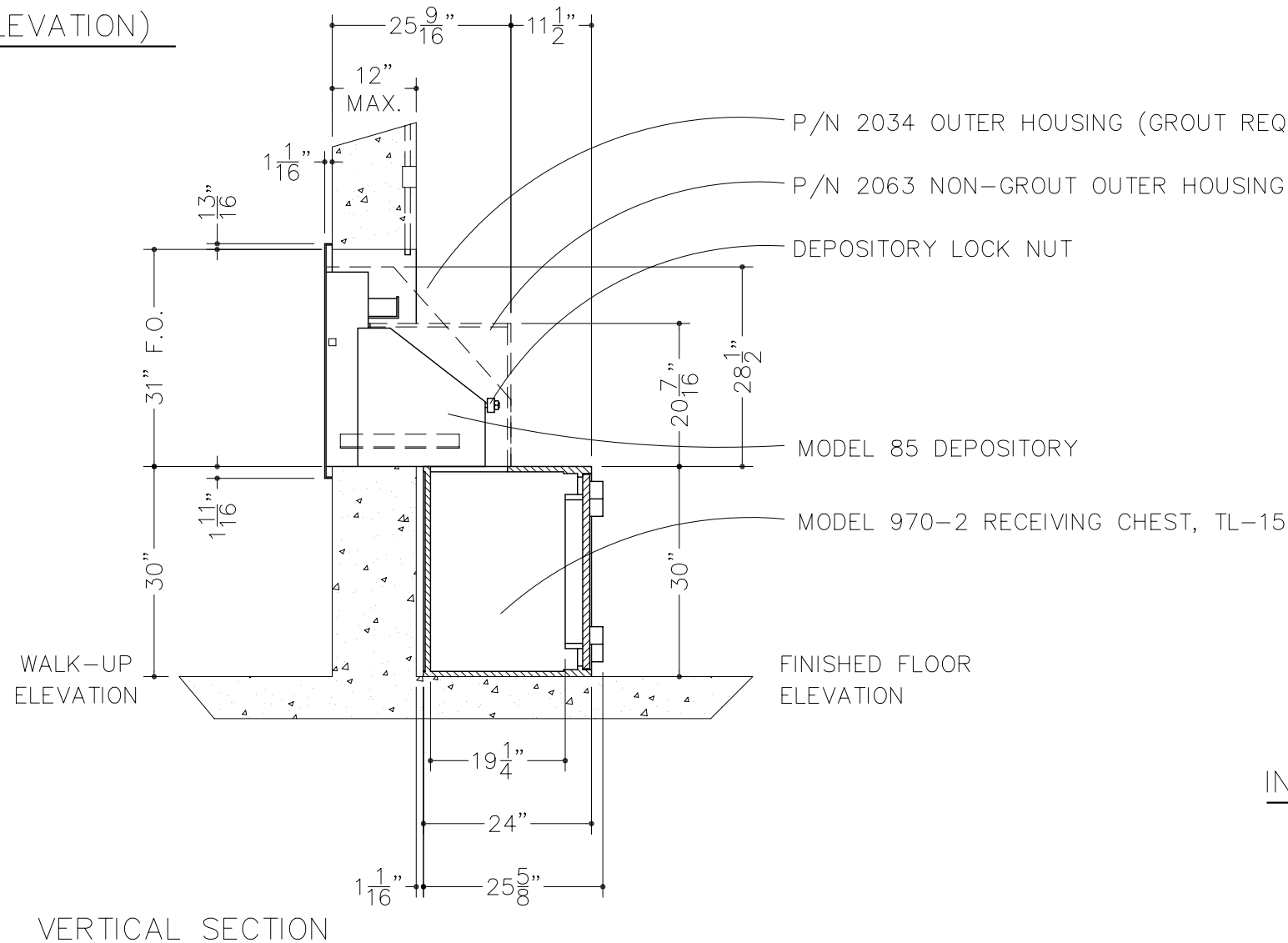
FINISHED FLOOR LINE



FINISHED OPENING (INTERIOR ELEVATION)



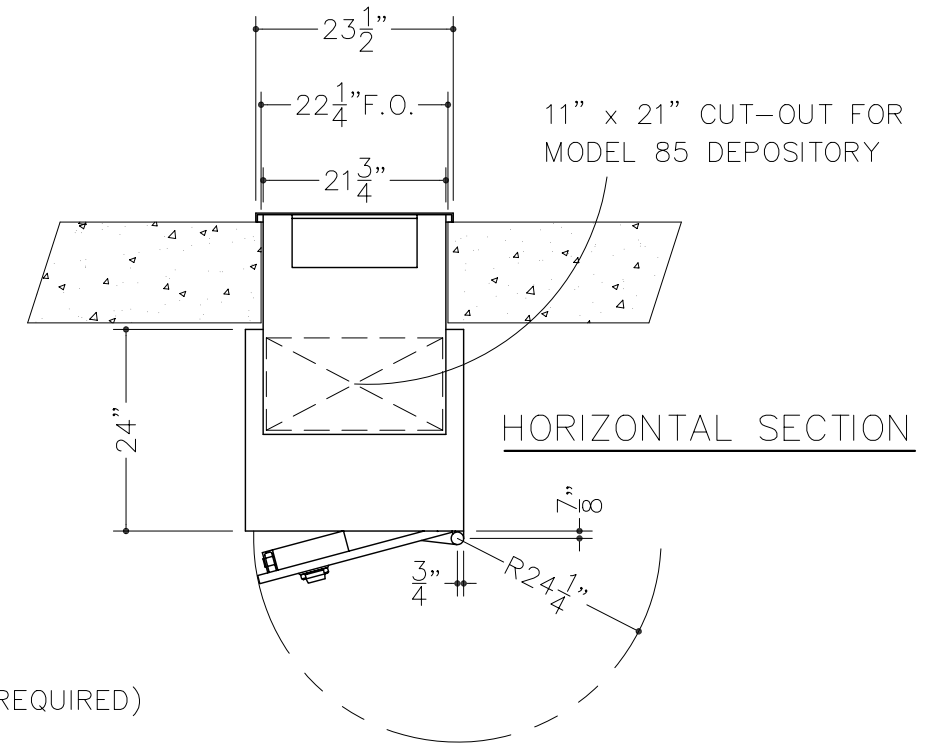
EXTERIOR ELEVATION



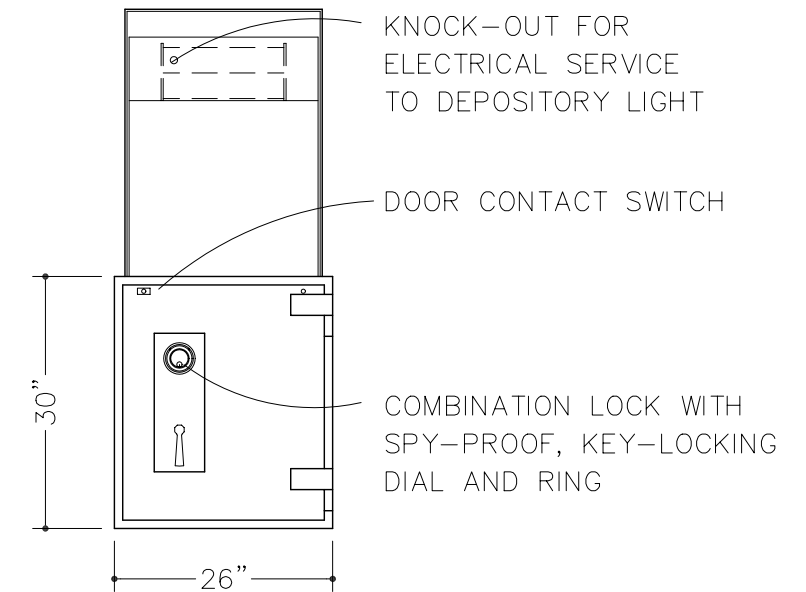
VERTICAL SECTION

NOTES:

1. APPROXIMATE WEIGHT (CHEST ONLY) : 675 LBS.
2. FINISH: TAUPE
3. RIGHT SWING SHOWN. LEFT SWING OPPOSITE.
4. P/N 2034 OUTER HOUSING IS TO BE WELDED TO RECEIVING CHEST AND REQUIRES ENCASEMENT IN 6" OF CONCRETE.
5. P/N 2063 NON-GROUT OUTER HOUSING IS TO BE WELDED TO RECEIVING CHEST AND SHOULD NOT BE ENCASED IN CONCRETE.
6. INTERIOR WALL OPENING AROUND OUTER HOUSING IS TO BE FILLED (BY OTHERS) USING APPROPRIATE MATERIALS.



HORIZONTAL SECTION



INTERIOR ELEVATION

CAUTION!
ONLY PROFESSIONALS EXPERIENCED
AND QUALIFIED IN THE INSTALLATION
OF SAFES SHOULD INSTALL THIS
PRODUCT.

DO NOT SCALE

American
Vault®.us

PRODUCT APPLICATION DRAWING
MOD 970-2 TL-15 RECEIVING CHEST
W/MOD 85 DEPOSITORY



SIZE	DWG NO	DATE	SHEET
B	20044	01.01.2012	1 OF 1