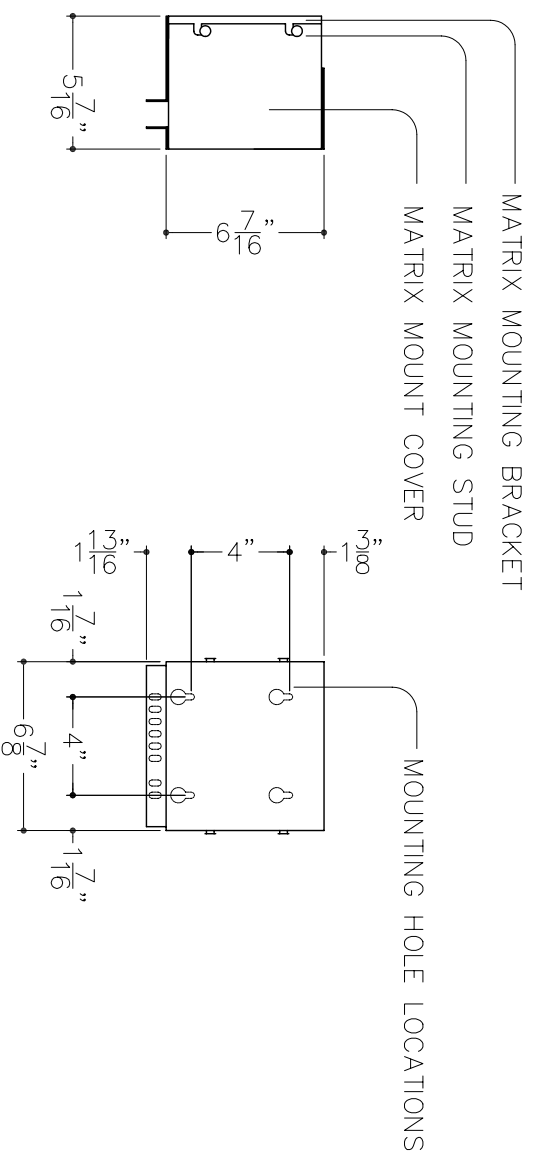
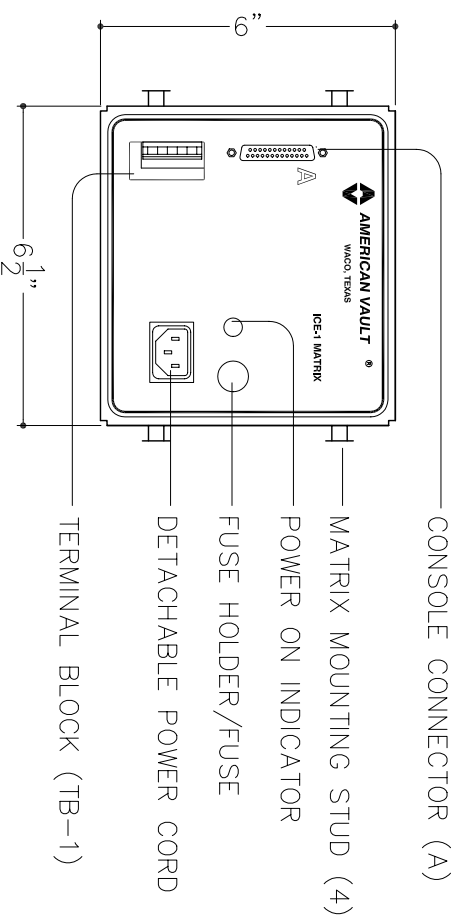
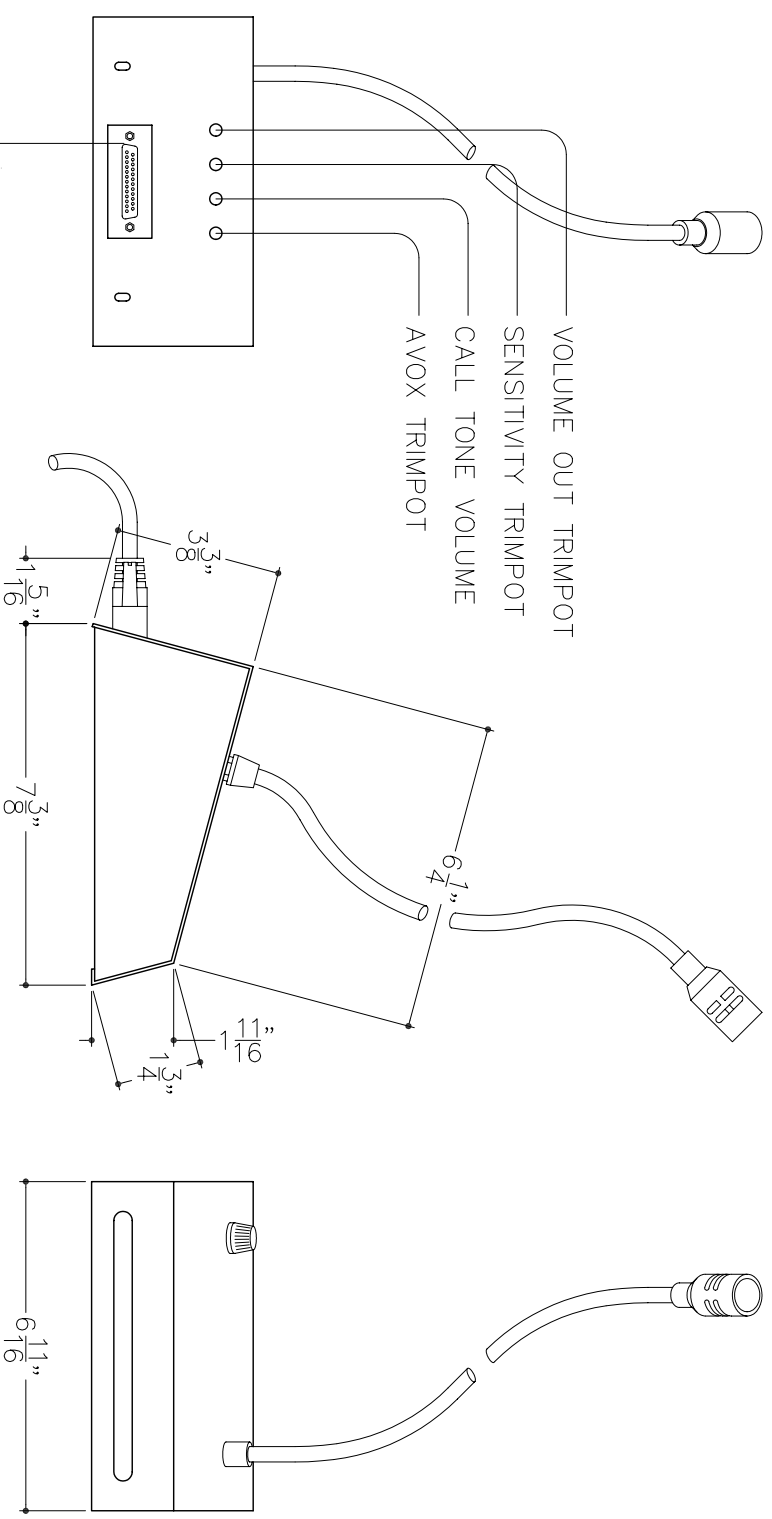
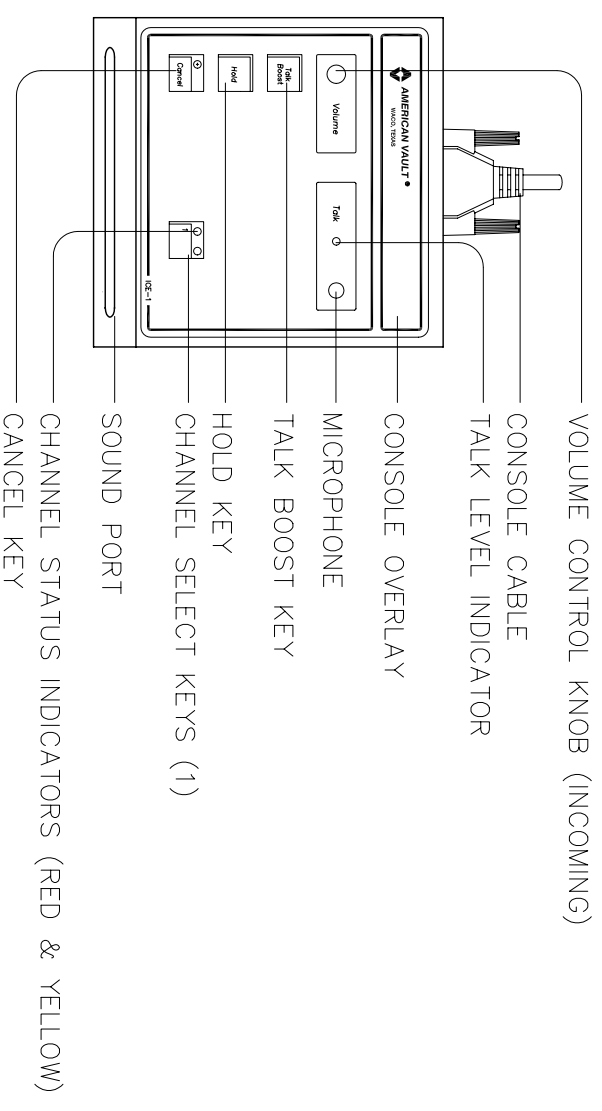


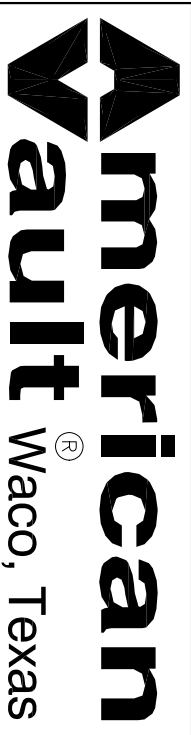
**TERMINAL BLOCK DETAIL (TB-1)**



**MODEL 5102 (ICE-1 MATRIX)**



**MODEL 5101 (ICE-1 CONSOLE)**



DESCRIPTION PRODUCT APPLICATION DRAWING  
5000 SERIES AUDIO SYSTEM  
ICE-1 CONSOLE & MATRIX

SIZE	DWG. NO.	DATE	SCALE
<b>B</b>	20053	12.07.01	NONE
			SHEET 1 of 1