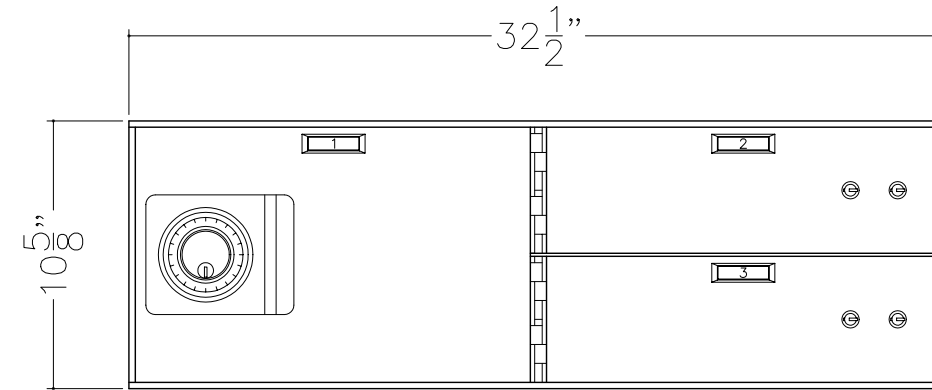
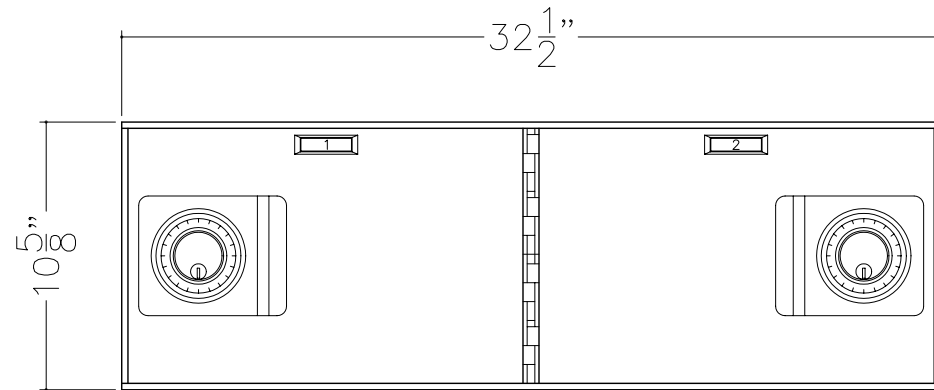


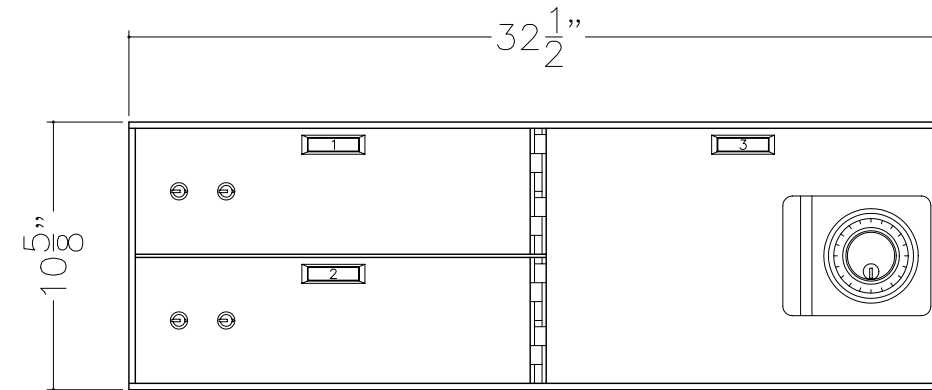
MODEL 551-4
(4) 5x16 OPENINGS



MODEL 551-1/2
(1) 10x16 OPENING
(2) 5x16 OPENINGS



MODEL 551-2
(2) 10x16 OPENINGS



MODEL 551-2/1
(2) 5x16 OPENINGS
(1) 10x16 OPENING

- SECTION SIZE: 10 5/8" HIGH x 32 1/2" WIDE x 18" OR 24" DEEP
- COMBINATION LOCKS: GROUP 2, 3 WHEEL, WITH KEY-LOCKING DIAL AND RING
- SAFE DEPOSIT LOCK: UNIVERSAL, DOUBLE NOSE, FIXED/FIXED, FINISHED IN BRASS
- HINGES: FINISHED IN BRASS
- DOORS: MACHINED FROM SOLID ALUMINUM ALLOY AND FINISHED IN STAINLESS STEEL

DO NOT SCALE



PRODUCT APPLICATION DRAWING
500 SERIES LOCKERS
MODEL 551

SIZE	DWG NO	DATE	SHEET
B	20061-551	01.01.2012	1 OF 1