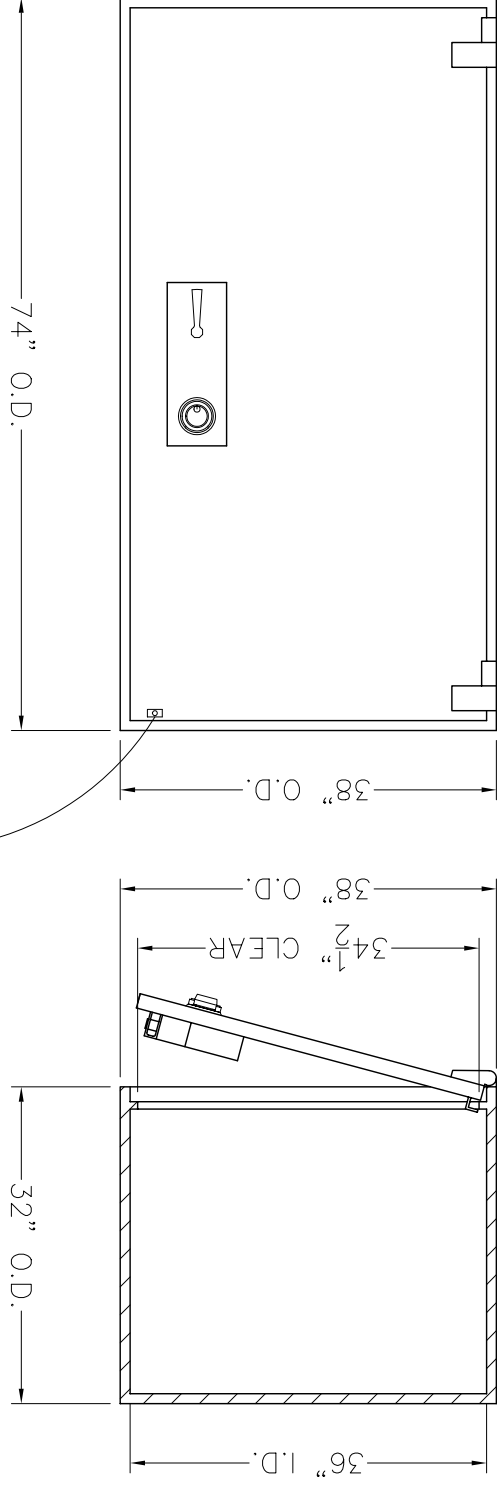


- NOTES:
1. COMBINATION LOCK W/SPY-PROOF KEY-LOCKING D & R.
 2. BODY & DOOR, TL-15 PLATE SAFE CONSTRUCTION.
 3. FINISH: TAUPÉ (S/W #F63VX-A4907-4334)
 4. APPROXIMATE WEIGHT: 2940 LBS.
 5. MODEL 981-2LS (LEFT SWING AS SHOWN)
 6. MODEL 981-2RS (RIGHT SWING OPP.)
 7. PREPARED FOR TWO MOVEMENT TIME LOCK.



ALARM CONTACT SWITCH

CAUTION!
 ONLY PROFESSIONALS EXPERIENCED
 AND QUALIFIED IN THE INSTALLATION
 OF SAFES SHOULD INSTALL THIS
 PRODUCT.

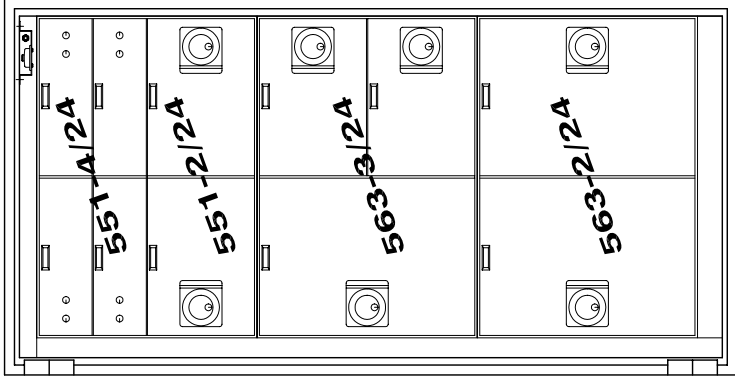
American
 Waco, Texas

DESCRIPTION
 981 SERIES PLATE SAFE, TL-15
 PRODUCT APPLICATION DRAWING
 MODEL 981-2 (74Hx38Wx32D)

SIZE	DWG. NO.	DATE	SCALE
B	20109	11.20.03	NONE

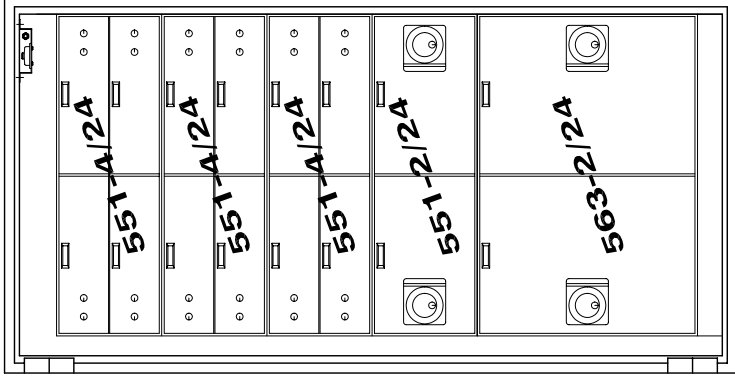
SHEET 1 of 3





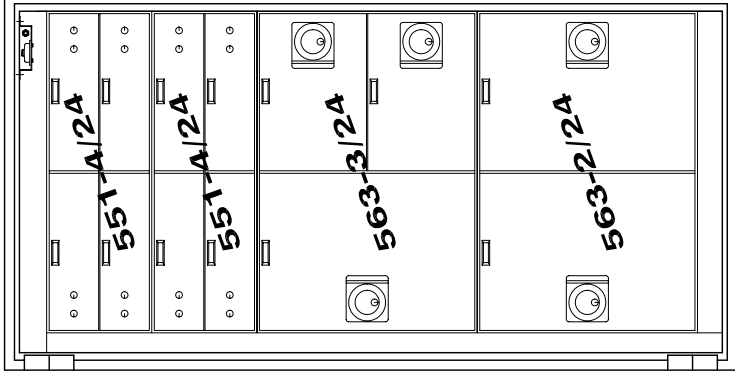
MODEL 981-2(4/7)

- (4) 5x16 TELLER LOCKERS
- (4) 10x16 CASH LOCKERS
- (3) 22x16 CASH LOCKERS
- (1) BASE ASSY,3"



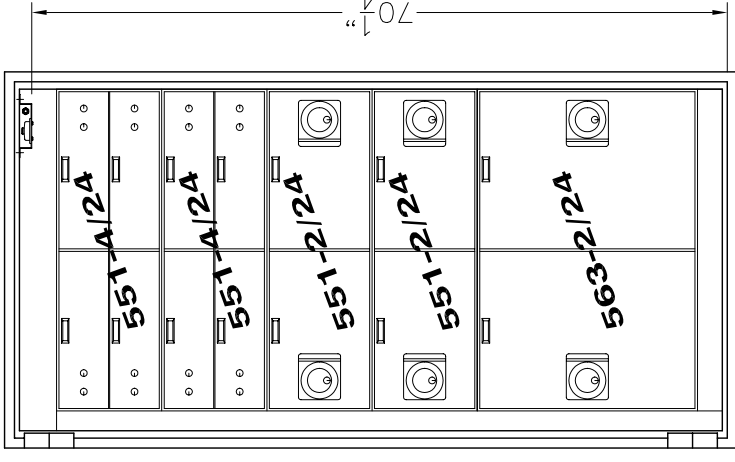
MODEL 981-2(12/4)

- (12) 5x16 TELLER LOCKERS
- (2) 10x16 CASH LOCKERS
- (2) 22x16 CASH LOCKERS
- (1) BASE ASSY,3"



MODEL 981-2(8/5)

- (8) 5x16 TELLER LOCKERS
- (2) 10x16 CASH LOCKERS
- (3) 22x16 CASH LOCKERS
- (1) BASE ASSY,3"

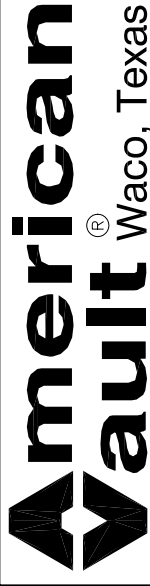


MODEL 981-2(8/6)

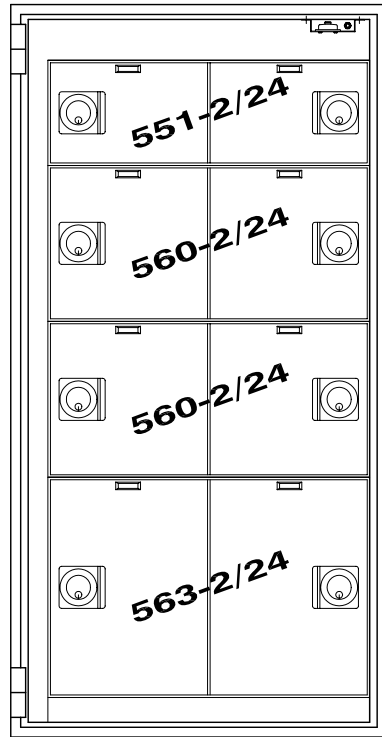
- (8) 5x16 TELLER LOCKERS
- (4) 10x16 CASH LOCKERS
- (2) 22x16 CASH LOCKERS
- (1) BASE ASSY,3"

CAUTION!

ONLY PROFESSIONALS EXPERIENCED AND QUALIFIED IN THE INSTALLATION OF SAFES SHOULD INSTALL THIS PRODUCT.

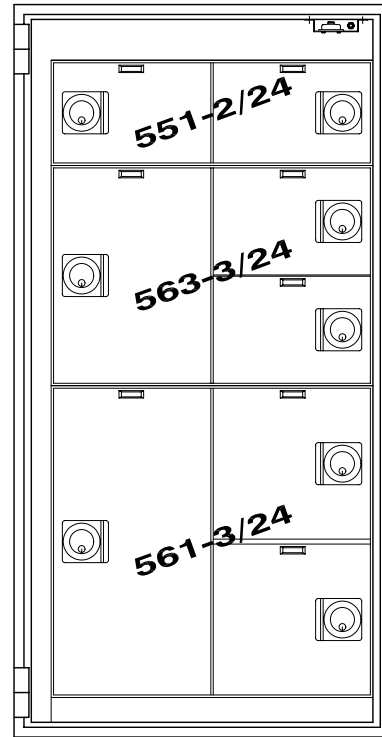


DESCRIPTION			
PRODUCT APPLICATION DRAWING			
981 SERIES PLATE SAFE, TL-15			
MODEL 981-2 (74HX38WX32D)			
SIZE	DWG. NO.	DATE	SCALE NONE
B	20109	11.20.03	SHEET 2 of 3



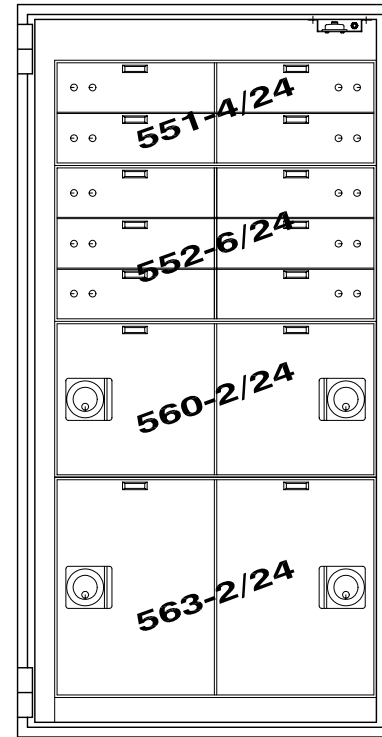
MODEL 981-2(0/8)B

- (2) 10x16 CASH LOCKERS
- (4) 15x16 CASH LOCKERS
- (2) 22x16 CASH LOCKERS
- (1) BASE ASSY, 3"



MODEL 981-2(0/8)A

- (4) 10x16 CASH LOCKERS
- (2) 15x16 CASH LOCKERS
- (1) 22x16 CASH LOCKER
- (1) 31x16 CASH LOCKER
- (1) BASE ASSY, 3"



MODEL 981-2(10/4)

- (10) 5x16 TELLER LOCKERS
- (2) 15x16 CASH LOCKERS
- (2) 22x16 CASH LOCKERS
- (1) BASE ASSY, 3"

CAUTION!
ONLY PROFESSIONALS EXPERIENCED
AND QUALIFIED IN THE INSTALLATION
OF SAFES SHOULD INSTALL THIS
PRODUCT.



American Vault®
 Waco, Texas

DESCRIPTION			
PRODUCT APPLICATION DRAWING			
981 SERIES PLATE SAFE, TL-15			
MODEL 981-2 (74Hx38Wx32D)			
SIZE	DWG. NO.	DATE	SCALE NONE
B	20109	11.20.03	SHEET 3 of 3