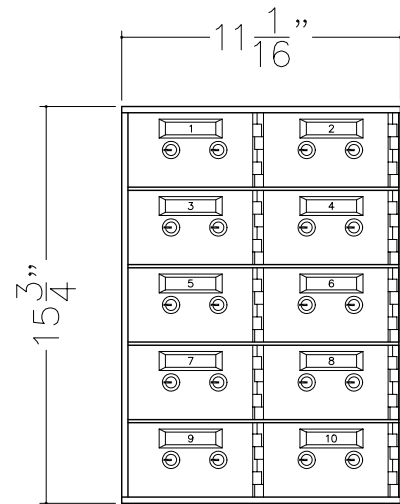
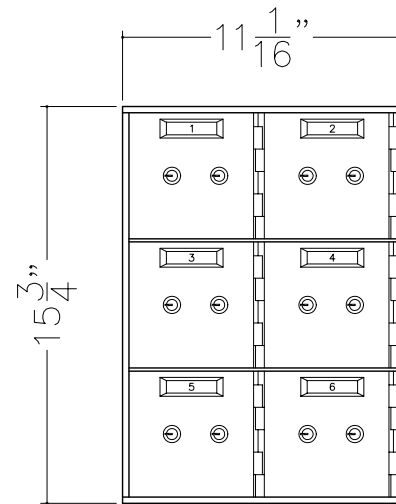


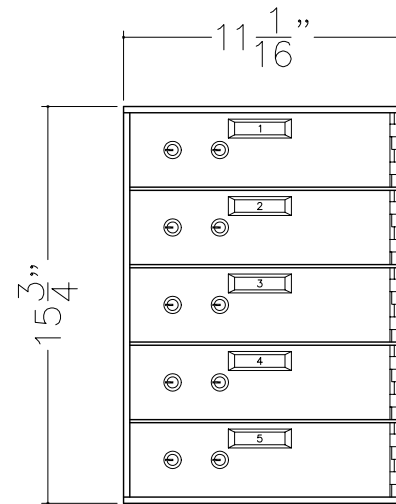
- MODULE SIZE: 15-3/4" H x 11-1/16" W x 24" D
- FOR USE WITH 515 SERIES SAFE DEPOSIT BOX SECTION
- AVAILABLE IN RIGHT HAND SWING ONLY
- SOLID ALUMINUM DOOR WITH S.S. FRONT PLATE
- DECORATOR NUMBER PLATES
- BASE ASSEMBLY (521-9100): 3" H x 11-1/16" W x 24" D WITH S.S. FRONT PLATE
- SPACER ASSEMBLY (521-9300): 2" H x 11-1/16" W x 24" D WITH S.S. FRONT PLATE



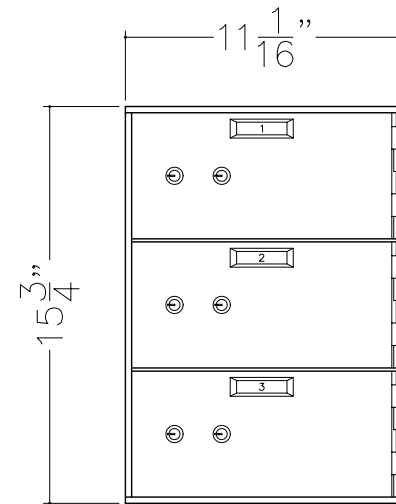
MODEL 511-10
(10) 3 x 5 OPENINGS



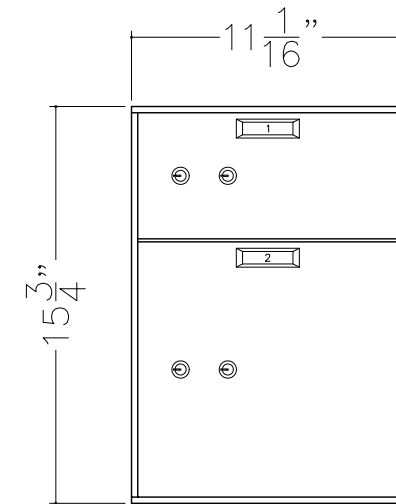
MODEL 511-6
(6) 5 x 5 OPENINGS



MODEL 511-5
(5) 3 x 10 OPENINGS



MODEL 511-3
(3) 5 x 10 OPENINGS

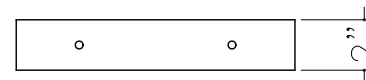


MODEL 511-2
(1) 5 x 10 OPENING
(1) 10 x 10 OPENING

MODEL 521-9100
BASE ASSEMBLY, 3"



MODEL 521-9300
SPACER ASSEMBLY



DO NOT SCALE



PRODUCT APPLICATION DRAWING
500 SERIES SAFE DEPOSIT BOX
MODEL 511 (SINGLE WIDTH)

| SIZE | DWG NO | DATE | SHEET |
|----------|--------|------------|--------|
| B | 20110 | 01.01.2012 | 1 OF 1 |