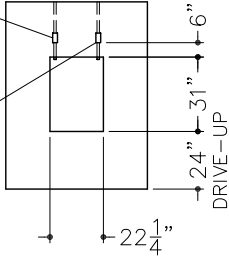


2 X 4 JUNCTION BOX WITH
3/4" CONDUIT & COVER
FOR 120V 15A SERVICE
TO DEPOSITORY SIGN

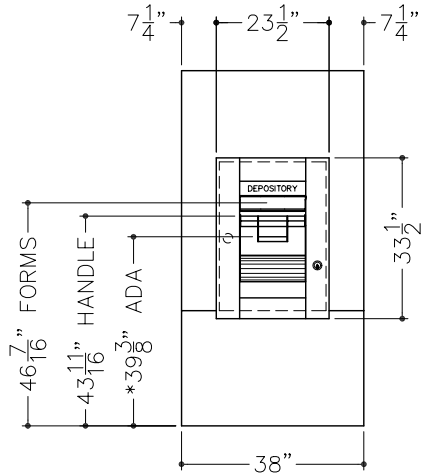
2 X 4 JUNCTION BOX WITH
3/4" CONDUIT & COVER
FOR ALARM CONNECTION

FINISHED FLOOR LINE



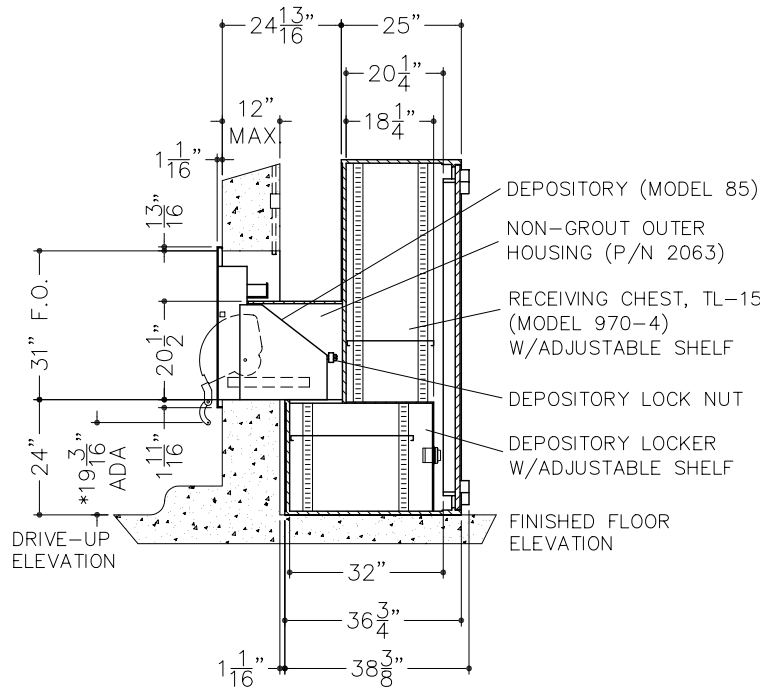
CAUTION!
ONLY PROFESSIONALS EXPERIENCED AND
QUALIFIED IN THE INSTALLATION OF SAFES
SHOULD INSTALL THIS PRODUCT.

FINISHED OPENING
INTERIOR ELEVATION



EXTERIOR ELEVATION

*ADA HANDLE CLOSED POSITION



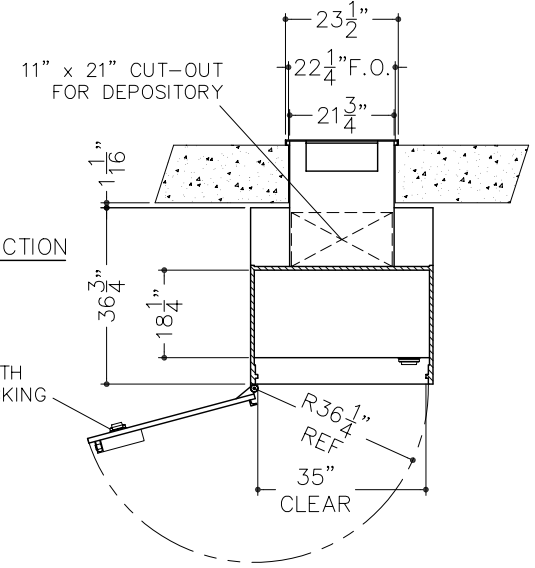
VERTICAL SECTION

*ADA HANDLE OPEN POSITION

NOTES:

1. LEFT SWING SHOWN, RIGHT SWING OPPOSITE.
2. NON-GROUT OUTER HOUSING (P/N 2063) IS TO BE WELDED TO RECEIVING CHEST AND SHOULD NOT BE ENCASED IN CONCRETE.
3. INTERIOR WALL OPENING AROUND OUTER HOUSING IS TO BE FILLED USING APPROPRIATE MATERIALS, BY OTHERS.
4. SET-UP TO RECEIVE 500 SERIES LOCKERS (18" DEEP). FOR LOCKER INSERT OPTIONS, SEE SHEET 2 OF 2.
5. FINISH: BEIGE

APPROXIMATE WEIGHTS:
RECEIVING CHEST: 2,210 LBS.
DEPOSITORY: 280 LBS.
HOUSING: 325 LBS.



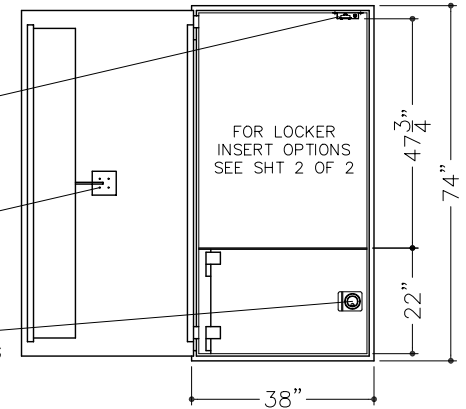
HORIZONTAL SECTION

COMBINATION LOCK WITH
SPY-PROOF, KEY-LOCKING
DIAL AND RING

ALARM KIT ASSEMBLY
INCLUDES HEAT RISE &
DOOR CONTACT SWITCH

PREPARED FOR 2 OR 3
MOVEMENT TIME LOCK

COMBINATION LOCK WITH
FRONT READ, KEY-LOCKING
DIAL AND RING



INTERIOR ELEVATION

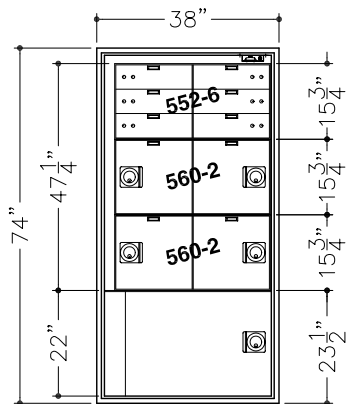
(SHOWN WITH DOOR OPEN FOR CLARITY)

American Vault[®].us

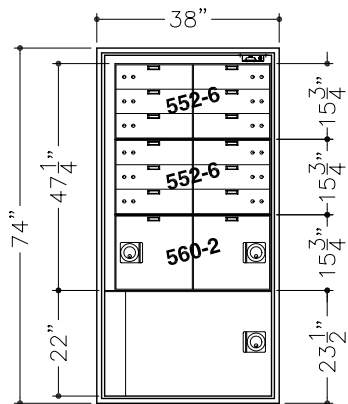
PRODUCT APPLICATION DRAWING
MODEL 970-4 TL-15 RECEIVING CHEST
WITH DEPOSITORY AND NON-GROUT
OUTER HOUSING (MOD 85-2063)



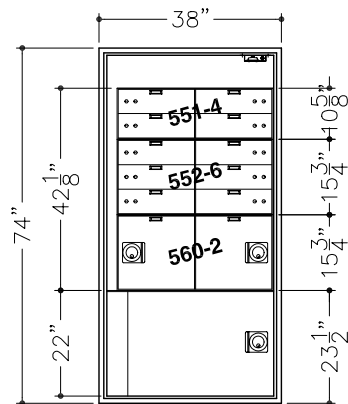
SIZE	DWG NO	DATE	SHEET
A	20111	03.04.2013	1 OF 2



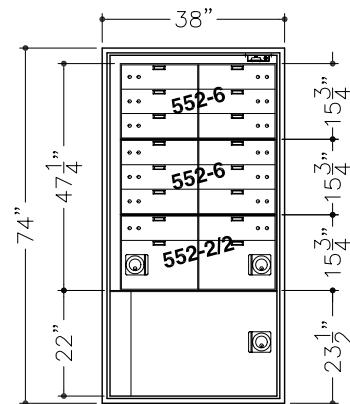
(6) 5x16 TELLER LOCKERS
(4) 15x16 CASH LOCKERS



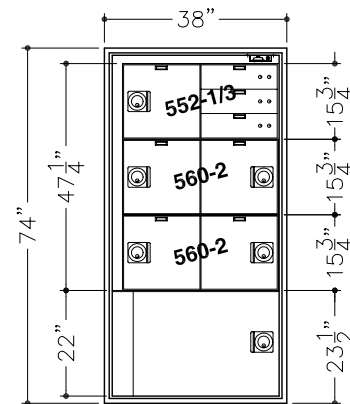
(12) 5x16 TELLER LOCKERS
(2) 15x16 CASH LOCKERS



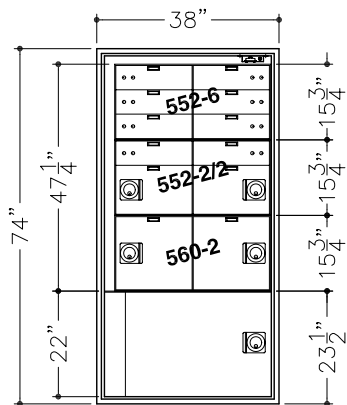
(10) 5x16 TELLER LOCKERS
(2) 15x16 CASH LOCKERS



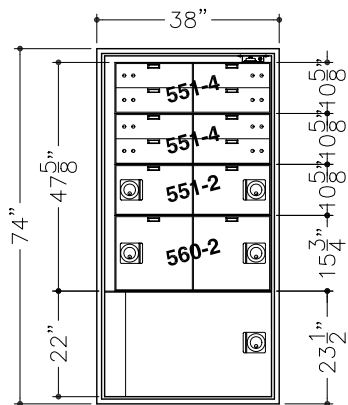
(14) 5x16 TELLER LOCKERS
(2) 10x16 CASH LOCKERS



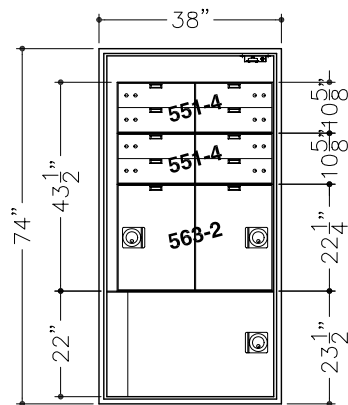
(3) 5x16 TELLER LOCKERS
(5) 15x16 CASH LOCKERS



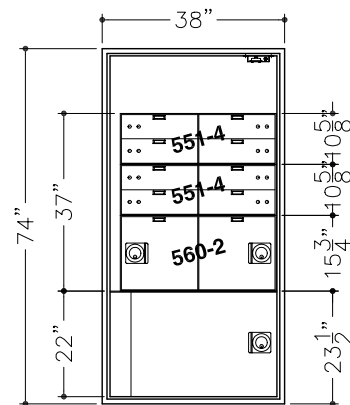
(8) 5x16 TELLER LOCKERS
(2) 10x16 CASH LOCKERS
(2) 15x16 CASH LOCKERS



(8) 5x16 TELLER LOCKERS
(2) 10x16 CASH LOCKERS
(2) 15x16 CASH LOCKERS



(8) 5x16 TELLER LOCKERS
(2) 22x16 CASH LOCKERS



(8) 5x16 TELLER LOCKERS
(2) 15x16 CASH LOCKERS

CAUTION!
ONLY PROFESSIONALS EXPERIENCED AND
QUALIFIED IN THE INSTALLATION OF SAFES
SHOULD INSTALL THIS PRODUCT.



American Vault.us

PRODUCT APPLICATION DRAWING
MODEL 970-4 TL-15 RECEIVING CHEST
WITH DEPOSITORY AND NON-GROUT
OUTER HOUSING (MOD 85-2063)

SIZE	DWG NO	DATE	SHEET
A	20111	03.04.2013	2 OF 2