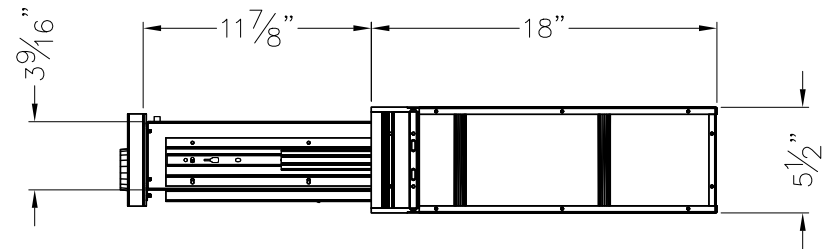
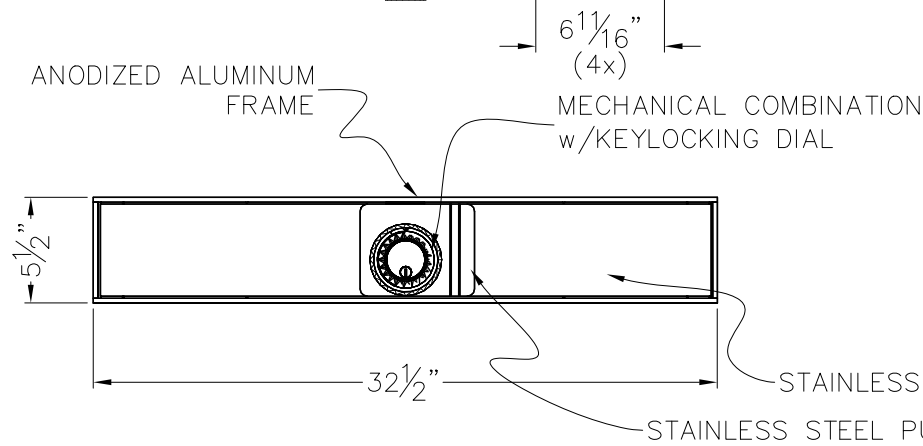


FRAME MATES WITH 500
SERIES LOCKERS

FOLLOW BLOCK (4x)



STAINLESS STEEL FASCIA

STAINLESS STEEL PULL HANDLE

LOCKABLE FOUR COMPARTMENT CASH DRAWER WITH STAINLESS STEEL FASCIA AND ANODIZED ALUMINUM FRAME. FULLY ADJUSTABLE FOLLOW BLOCKS WITH POSITIVE LATCHING. FRAME MEMBER MATES WITH 500 SERIES LOCKERS.

MODEL 550-CD4x18 SHOWN.
FOUR COMPARTMENT CASH DRAWER WITH 18" DEEP CASE.
MODEL 550-CD4x24 IS AVAILABLE.
FOUR COMPARTMENT CASH DRAWER WITH 24" DEEP CASE.

DO NOT SCALE



PRODUCT APPLICATION DRAWING
CASH DRAWER 4 COMPARTMENT
MODEL 550-CD4

SIZE	DWG NO	DATE	SHEET
A	20175	12.09.2011	1 OF 1